



PORTABLE CHILLER MODEL: CH-3

| 230 Volt 1 Phase | |
|------------------|----|
| FLA | 27 |
| MCA | 30 |
| MOC | 51 |

| 230 Volt 3 Phase | |
|------------------|----|
| FLA | 18 |
| MCA | 21 |
| MOC | 32 |

| 460 Volt 3 Phase | |
|------------------|----|
| FLA | 8 |
| MCA | 10 |
| MOC | 15 |

| | |
|-----------------|---------------------------------|
| Dimensions | 32"W x 48"L x 40"H |
| Frame | Powder Coated Steel |
| Housing | Stainless Steel |
| Tank | 30 Gallon Stainless Steel |
| Compressor HP | 3 |
| Condenser | Air-Cooled |
| Glycol Pump HP | 0.75 |
| GPM @ 25 PSI | 25 |
| Connection Size | 0.75" Brass Quick Connects (x4) |
| Heat Exchanger | Stainless Steel Brazed Plate |
| Controls | Single Stage Digital |

| | |
|----------------------|---------|
| Electrical Enclosure | NEMA 4 |
| Shipping Weight | 700 lbs |
| Decibels @ 10' | 62 |
| Refrigerant | R404a |

Cooling Capacity by Leaving Fluid Temperature¹

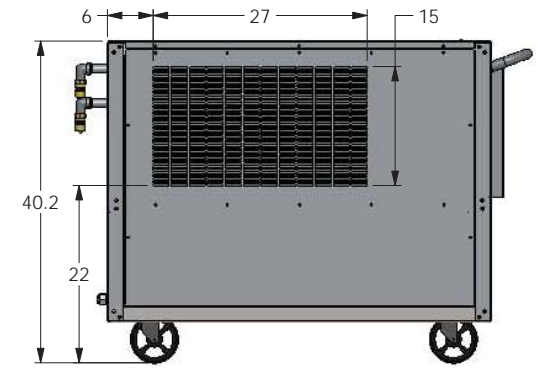
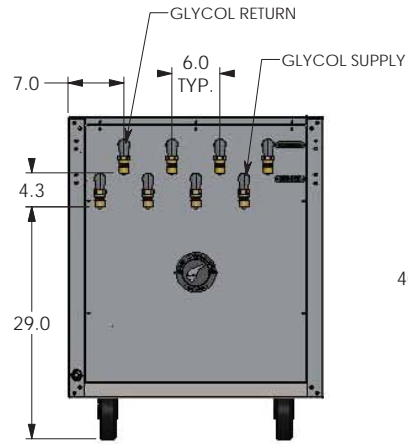
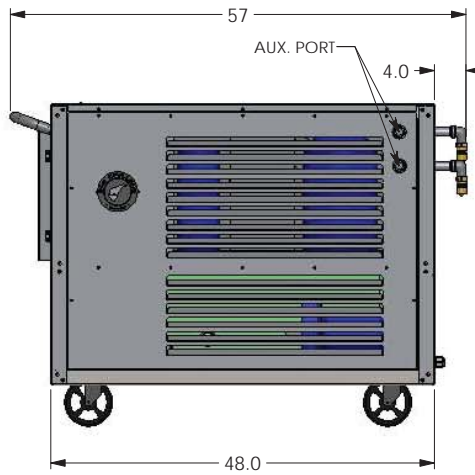
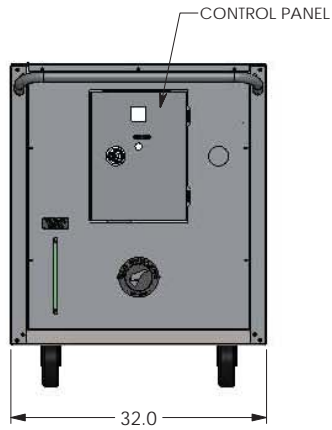
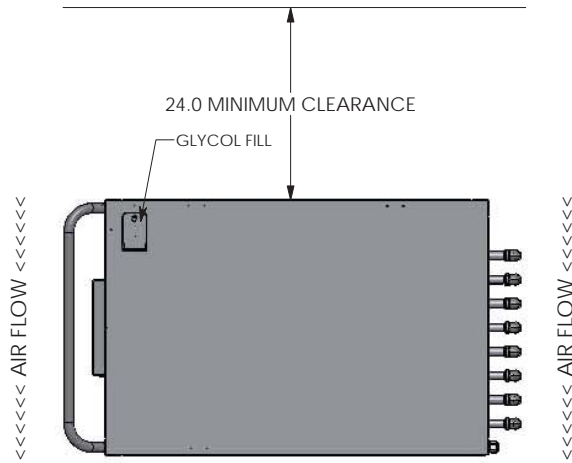
| LFT | Btu/H | kW |
|-------|--------|-----|
| 20 °F | 17,213 | 5.0 |
| 30 °F | 21,436 | 6.3 |
| 40 °F | 26,098 | 7.6 |

¹ All capacities at 90 °F ambient

Portable chiller package consists of the following:

- Complete refrigeration circuit
- Air-cooled condenser
- Glycol pump
- Fluid bypass valve
- Freeze stat safety switch
- Digital temperature controller
- All insulated copper piping
- Stainless steel housing
- Powder coated steel frame
- Engineered high efficiency heat exchanger for maximum energy savings
- Insulated stainless steel glycol reservoir
- Heavy duty rubber-on-steel casters for easy portability
- Brass quick connects for cooling up to 4 tanks at once without loss of glycol
- One set of 20 ft. glycol hoses and 25 ft. power cord
- ETL (UL508) listed complete control panel with single point electrical connection, breakers, starters & safety switches
- Louvered stainless steel access panels for easy service & maintenance
- Factory run tested and fully charged with refrigerant

1 Year Parts and Labor Warranty



CH-3

PORTABLE CHILLER

G&D CHILLERS

COMMITTED TO COLD

○ EST 1993 ○

760 BAILEY HILL ROAD EUGENE, OR 97402 · TEL (541) 345-3903 (800) 555-0973