



## FIRE & ICE MODEL: CH-3/6

230 Volt 1 Phase	
FLA	29
MCA	30
MOC	40

230 Volt 3 Phase	
FLA	21
MCA	27
MOC	30

460 Volt 3 Phase	
FLA	9
MCA	11
MOC	15

Dimensions	32"W x 48"L x 40"H
Frame	Powder Coated Steel
Housing	Stainless Steel
Tank	30 Gallon Stainless Steel
Compressor HP	3
Condenser	Air-Cooled
Glycol Pump HP	0.75
GPM @ 25 PSI	25
Connection Size	0.75" Brass Quick Connects (x4)
Heat Exchanger	Stainless Steel Brazed Plate
Controls	Single Stage Digital

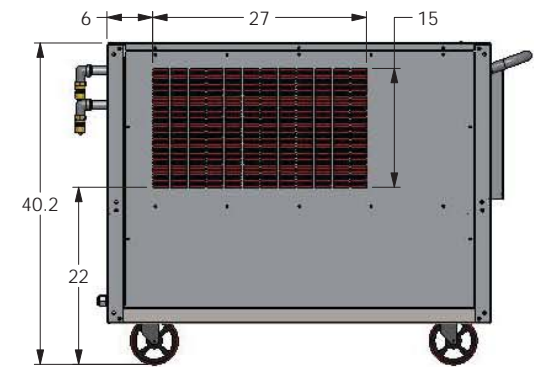
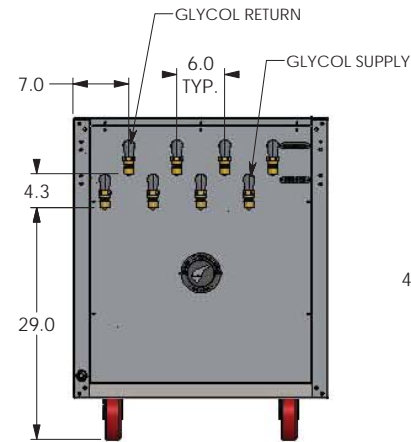
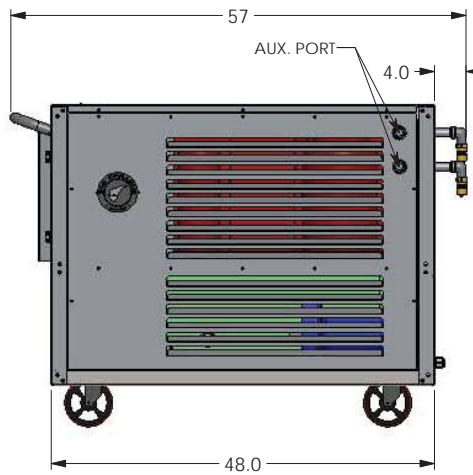
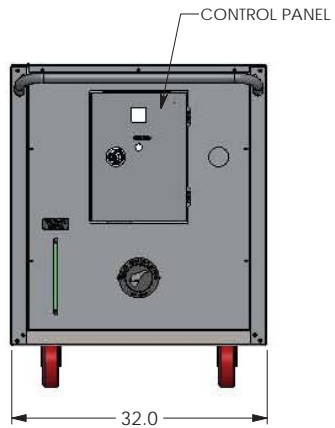
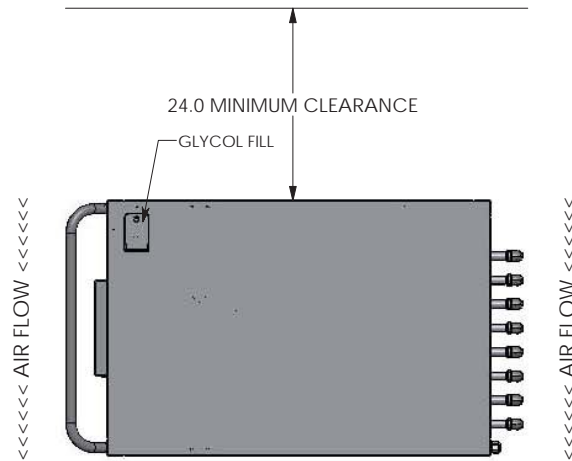
Heater kW	6
Electrical Enclosure	NEMA 3R
Shipping Weight	900 lbs
Decibels @ 10'	62
Refrigerant	R404a
Cooling (Btu/H) <sup>1</sup>	21,436
Heating (Btu/H)	20,500

<sup>1</sup> Cooling capacity using 30 °F glycol at 90 °F ambient

### *Fire & Ice package consists of the following:*

- Complete refrigeration circuit
- Air-cooled condenser
- Glycol pump
- Fluid bypass valve
- Freeze stat safety switch
- Digital temperature controller
- All insulated copper piping
- Stainless steel housing
- Powder coated steel frame
- Insulated stainless steel glycol reservoir
- Low watt density heating element specifically designed for glycol
- Engineered high efficiency heat exchanger for maximum energy savings
- Heavy duty rubber-on-steel casters for easy portability
- Brass quick connects for temperature control of up to 4 tanks at once without loss of glycol
- Complete set of 20 ft. glycol hoses and 25 ft. power cord
- ETL (UL508) listed complete control panel with single point electrical connection, breakers, starters & safety switches
- Louvered stainless steel access panels for easy service & maintenance
- Factory run tested and fully charged with refrigerant

**1 Year Parts and Labor Warranty**



FIRE & ICE

PORTABLE CHILLER & HEATER



G&D CHILLERS

COMMITTED TO COLD

EST 1993

760 BAILEY HILL ROAD EUGENE, OR 97402 · TEL (541) 345-3903 (800) 555-0973