



PORTABLE CHILLER MODEL: CH-7

230 Volt 1 Phase	
FLA	-
MCA	-
MOC	-

230 Volt 3 Phase	
FLA	41
MCA	47
MOC	74

460 Volt 3 Phase	
FLA	16
MCA	19
MOC	30

Dimensions	34"W x 61"L x 54"H
Frame	Powder Coated Steel
Housing	Stainless Steel
Tank	50 Gallon Stainless Steel
Compressor HP	7
Condenser	Air-Cooled
Glycol Pump HP	1.5
GPM @ 25 PSI	40
Connection Size	0.75" Brass Quick Connects (x5)
Heat Exchanger	Stainless Steel Brazed Plate
Controls	Single Stage Digital

Electrical Enclosure	NEMA 4
Shipping Weight	1350 lbs
Decibels @ 10'	65
Refrigerant	R404a

Cooling Capacity by Leaving Fluid Temperature¹

LFT	Btu/H	kW
20 °F	41,395	12.1
30 °F	51,046	15.0
40 °F	61,824	18.1

¹ All capacities at 90 °F ambient

Portable chiller package consists of the following:

- Complete refrigeration circuit
- Air-cooled condenser
- Glycol pump
- Fluid bypass valve
- Freeze stat safety switch
- Digital temperature controller
- All insulated copper piping
- Stainless steel housing
- Powder coated steel frame
- Engineered high efficiency heat exchanger for maximum energy savings
- Insulated stainless steel glycol reservoir
- Heavy duty rubber-on-steel casters for easy portability
- Brass quick connects for cooling up to 5 tanks at once without loss of glycol
- One set of 20 ft. glycol hoses and 25 ft. power cord
- ETL (UL508) listed complete control panel with single point electrical connection, breakers, starters & safety switches
- Louvered stainless steel access panels for easy service & maintenance
- Factory run tested and fully charged with refrigerant

1 Year Parts and Labor Warranty

8

7

6

5

4

3

2

1

F

E

D

C

B

A

F

E

D

C

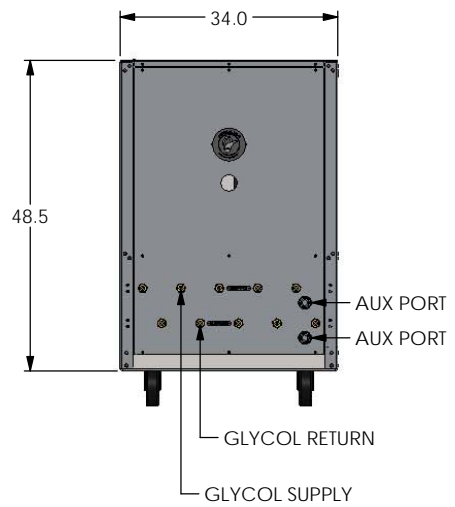
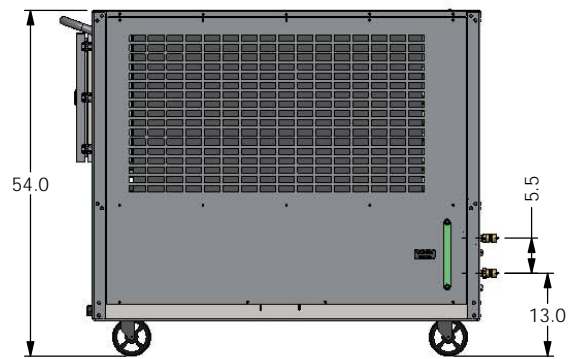
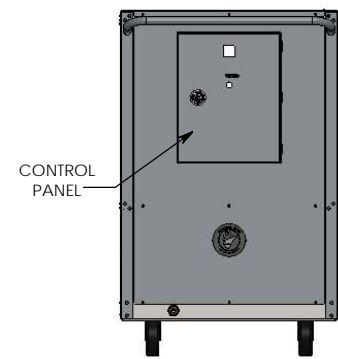
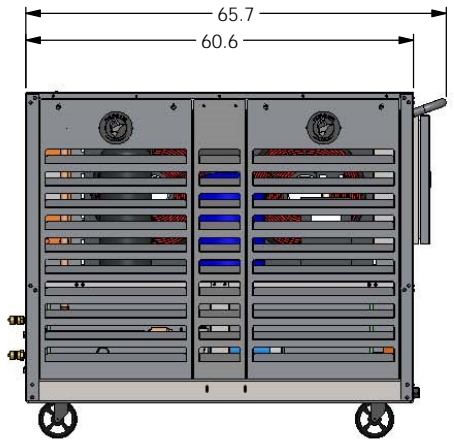
B

A

<<<<<< AIR FLOW <<<<<<

<<<<<< AIR FLOW <<<<<<

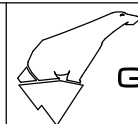
24.0 MINIMUM CLEARANCE



CONTROL PANEL

CH-7

PORTABLE CHILLER



G&D CHILLERS

COMMITTED TO COLD

EST 1993

760 BAILEY HILL ROAD EUGENE, OR 97402 · TEL (541) 345-3903 (800) 555-0973

8

7

6

5

4

3

2

1