



FIRE & ICE MODEL: CH-7/12.5

230 Volt 1 Phase	
FLA	-
MCA	-
MOC	-

230 Volt 3 Phase	
FLA	41
MCA	52
MOC	60

460 Volt 3 Phase	
FLA	18
MCA	23
MOC	25

Dimensions	34"W x 61"L x 54"H
Frame	Powder Coated Steel
Housing	Stainless Steel
Tank	50 Gallon Stainless Steel
Compressor HP	7
Condenser	Air-Cooled
Glycol Pump HP	1.5
GPM @ 25 PSI	40
Connection Size	0.75" Brass Quick Connects (x5)
Heat Exchanger	Stainless Steel Brazed Plate
Controls	Single Stage Digital

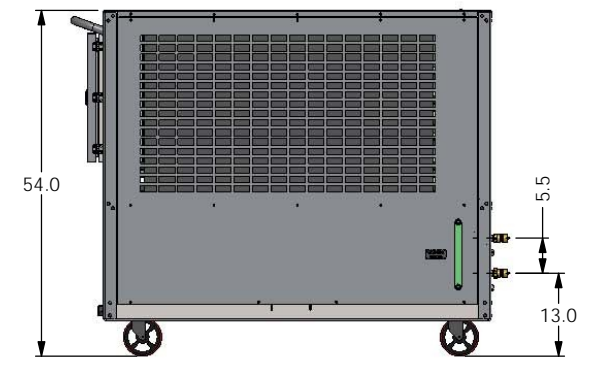
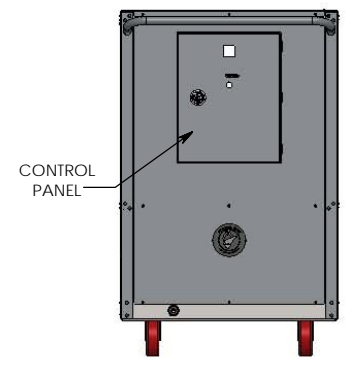
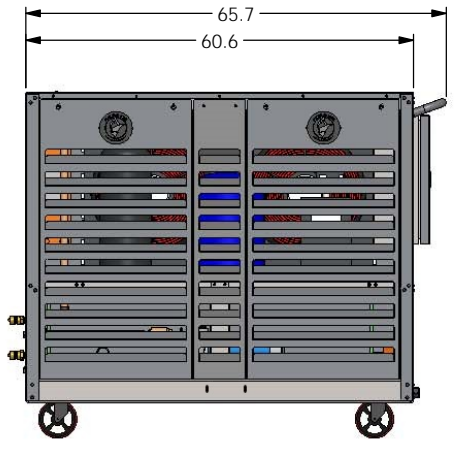
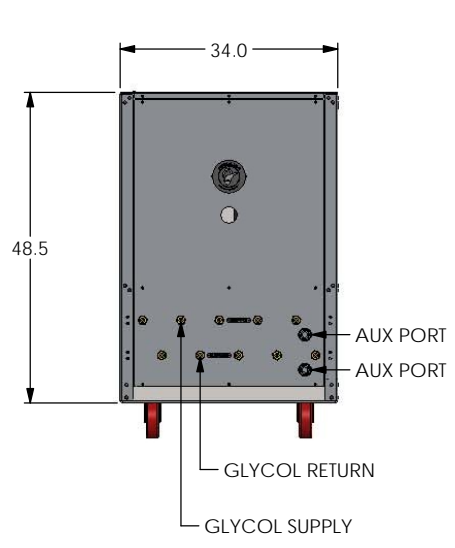
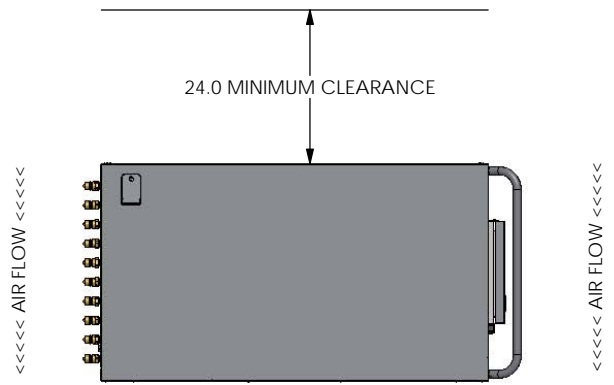
Heater kW	12.5
Electrical Enclosure	NEMA 4
Shipping Weight	1350 lbs
Decibels @ 10'	65
Refrigerant	R404a
Cooling (Btu/H) ¹	51,046
Heating (Btu/H)	42,700


¹ Cooling capacity using 30 °F glycol at 90 °F ambient

Fire & Ice package consists of the following:

- Complete refrigeration circuit
- Air-cooled condenser
- Glycol pump
- Fluid bypass valve
- Freeze stat safety switch
- Digital temperature controller
- All insulated copper piping
- Stainless steel housing
- Powder coated steel frame
- Insulated stainless steel glycol reservoir
- Low watt density heating element specifically designed for glycol
- Engineered high efficiency heat exchanger for maximum energy savings
- Heavy duty rubber-on-steel casters for easy portability
- Brass quick connects for temperature control of up to 5 tanks at once without loss of glycol
- Complete set of 20 ft. glycol hoses and 25 ft. power cord
- ETL (UL508) listed complete control panel with single point electrical connection, breakers, starters & safety switches
- Louvered stainless steel access panels for easy service & maintenance
- Factory run tested and fully charged with refrigerant

1 Year Parts and Labor Warranty



CH - 5/10.5	CH - 7/12.5	 G&D CHILLERS
PORTABLE CHILLER & HEATER		COMMITTED TO COLD ○ EST 1993 ○ <small>760 BAILEY HILL ROAD EUGENE, OR 97402 - TEL (541) 345-3903 (800) 555-0973</small>