



CHILLER MODEL: GD-13.5H

230 Volt 1 Phase	
FLA	-
MCA	-
MOC	-

230 Volt 3 Phase	
FLA	59
MCA	70
MOC	115

460 Volt 3 Phase	
FLA	30
MCA	40
MOC	60

Dimensions ¹	48"W x 73"L x 57"H
Frame	Powder Coated Steel
Housing	Powder Coated Aluminum
Tank	110 Gallon Stainless Steel
Compressor HP	13.5
Condenser	Air-Cooled
Glycol Pump HP	2
GPM @ 25 PSI	65
Connection Size	1.5" FPT
Heat Exchanger	Stainless Steel Brazed Plate
Controls	Single Stage Digital

Electrical Enclosure	NEMA 4
Shipping Weight	1650 lbs
Decibels @ 10'	68
Refrigerant	R404a

Cooling Capacity by Leaving Fluid Temperature ²

LFT	Btu/H	kW
20 °F	77,911	22.8
30 °F	95,082	27.9
40 °F	114,193	33.5

¹ Dimensions accurate for package chiller, remote condenser options will vary

² All capacities at 90 °F ambient

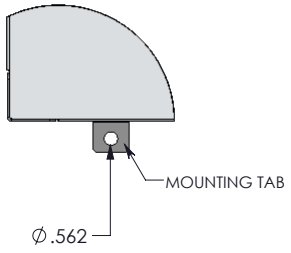
³ VFD available upon request

Chiller package consists of the following:

- Complete refrigeration circuit
- Air-cooled condenser
- Glycol pump³
- Fluid bypass valve
- All insulated copper piping
- Powder coated steel frame
- Powder coated aluminum housing
- Insulated stainless steel glycol reservoir
- Engineered high efficiency heat exchanger for maximum energy savings
- Digital temperature controller
- ETL (UL508) listed complete control panel with single point electrical connection, breakers, starters & safety switches
- Brass ball valves for supply and return glycol connections
- Louvered aluminum access panels for easy service & maintenance
- Factory run tested and fully charged with refrigerant

1 Year Parts and Labor Warranty

DETAIL A
SCALE 1 : 4



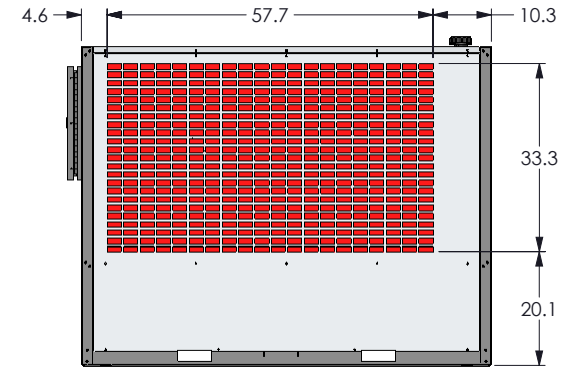
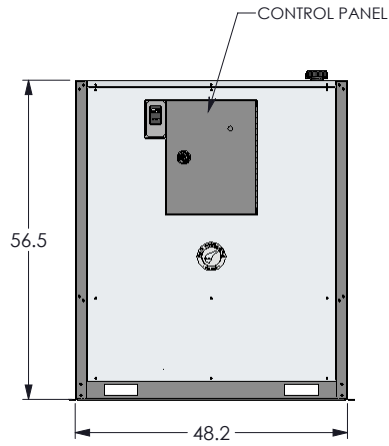
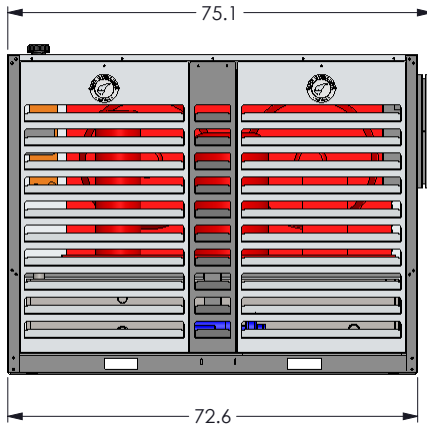
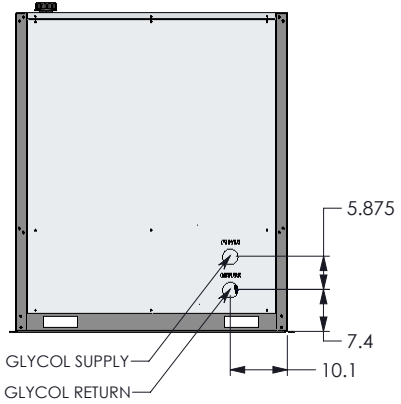
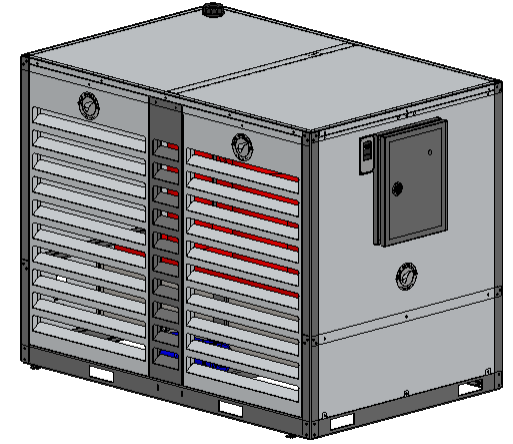
GLYCOL FILL

24.0 MINIMUM CLEARANCE

←←←←← AIR FLOW ←←←←←



←←←←← AIR FLOW ←←←←←



GD-10 / 13.5H STATIONARY CHILLER



G&D CHILLERS

COMMITTED TO COLD

○ EST 1993 ○

3498 WEST FIRST, SUITE 1 EUGENE, OR 97402 - TEL. (541) 345-3903 (800) 555-0973