



CHILLER MODEL: GD-150H-3C

| 230 Volt 1 Phase | |
|------------------|---|
| FLA | - |
| MCA | - |
| MOC | - |

| 230 Volt 3 Phase | |
|------------------|---|
| FLA | - |
| MCA | - |
| MOC | - |

| 460 Volt 3 Phase | |
|------------------|-----|
| FLA | 327 |
| MCA | 350 |
| MOC | 443 |

| | |
|-------------------------|-------------------------------|
| Dimensions ¹ | 91"W x 274"L x 117"H |
| Frame | Powder Coated Steel |
| Housing | Powder Coated Aluminum |
| Tank | 1000 Gallon Stainless Steel |
| Compressor HP | 50 (x3) |
| Condenser | Air-Cooled Vertical Discharge |
| Process Pump HP | 10 |
| GPM @ 25 PSI | 305 |
| Connection Size | 4" CTS Flange |
| Chiller Pump HP | 5 |
| Heat Exchanger | Stainless Steel Brazed Plate |
| Controls | Microprocessor w/ Comm. |

| | |
|----------------------|-----------|
| Electrical Enclosure | NEMA 4 |
| Shipping Weight | 11500 lbs |
| Decibels @ 10' | 74 |
| Refrigerant | R404a |

Cooling Capacity by Leaving Fluid Temperature ²

| LFT | Btu/H | kW |
|-------|-----------|-------|
| 20 °F | 927,000 | 271.7 |
| 30 °F | 1,176,000 | 344.7 |
| 40 °F | 1,467,000 | 429.9 |

¹ Dimensions accurate for package chiller, remote condenser options will vary

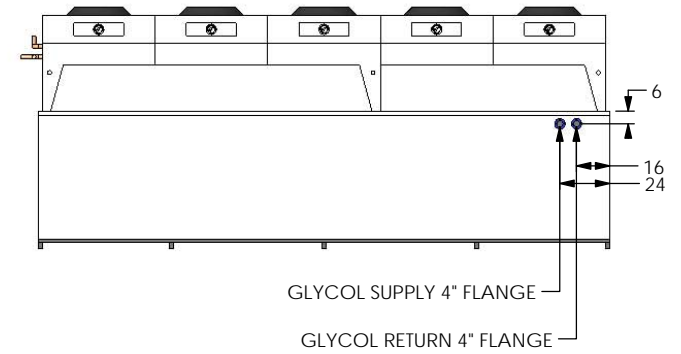
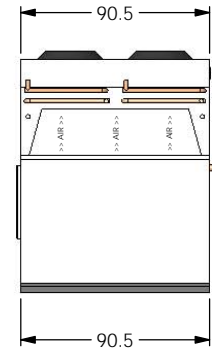
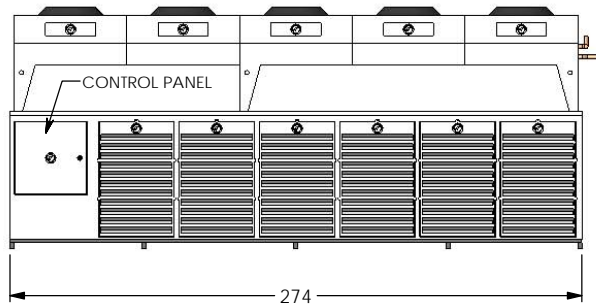
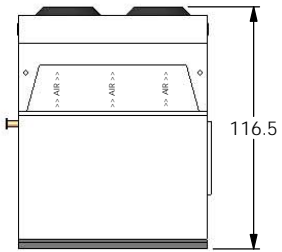
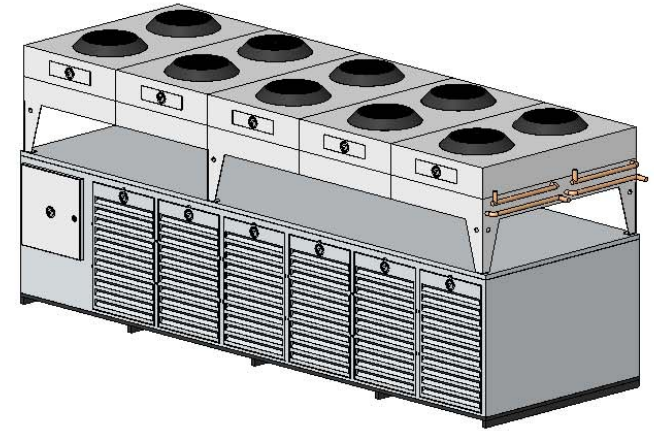
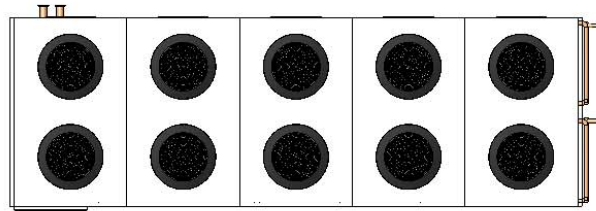
² All capacities at 90 °F ambient

³ VFD available upon request

Chiller package consists of the following:

- Three complete refrigeration circuits
- Air-cooled condenser
- Process pump³
- Chiller pump
- Fluid bypass valve
- Freeze stat safety switch
- All insulated copper piping
- Powder coated steel frame
- Powder coated aluminum housing
- Semi-hermetic reciprocating compressors with capacity unloading
- Engineered high efficiency heat exchanger for maximum energy savings
- Insulated stainless steel glycol reservoir with baffle plate
- Microprocessor controller with communication
- ETL (UL508) listed complete control panel with single point electrical connection, breakers, starters & safety switches
- CTS flange glycol supply and return connections
- Louvered aluminum access panels for easy service & maintenance
- Factory run tested and fully charged with refrigerant

1 Year Parts and Labor Warranty



GD-150H-3C

VERTICAL AIR CHILLER



G&D CHILLERS

COMMITTED TO COLD

○ EST 1993 ○

760 BAILEY HILL ROAD EUGENE, OR 97402 · TEL (541) 345-3903 (800) 555-0973