



CHILLER MODEL: GD-150H-3C

230 Volt 1 Phase	
FLA	-
MCA	-
MOC	-

230 Volt 3 Phase	
FLA	-
MCA	-
MOC	-

460 Volt 3 Phase	
FLA	331
MCA	355
MOC	451

Dimensions ¹	91"W x 274"L x 117"H
Frame	Powder Coated Steel
Housing	Powder Coated Aluminum
Tank	1000 Gallon Stainless Steel
Compressor HP	50 (x3)
Condenser	Air-Cooled Vertical Discharge
Process Pump HP	10
GPM @ 25 PSI	340
Connection Size	4" CTS Flange
Chiller Pump HP	5
Heat Exchanger	Stainless Steel Brazed Plate
Controls	Microprocessor w/ Comm.

Electrical Enclosure	NEMA 3R
Shipping Weight	11500 lbs
Decibels @ 10'	77
Refrigerant	R404a

Cooling Capacity by Leaving Fluid Temperature²

LFT	Btu/H	kW
20 °F	927,000	271.7
30 °F	1,176,000	344.7
40 °F	1,467,000	429.9

¹ Dimensions accurate for package chiller, remote condenser options will vary

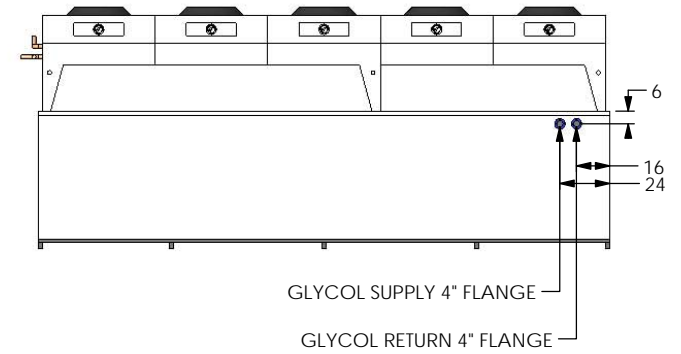
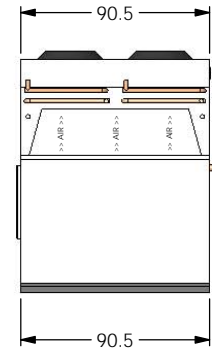
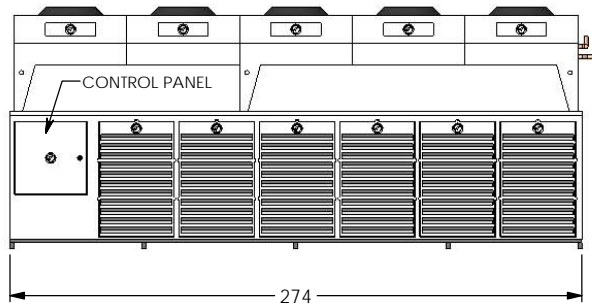
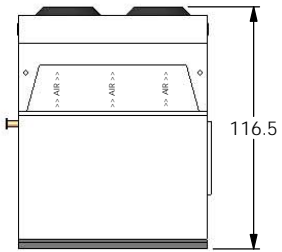
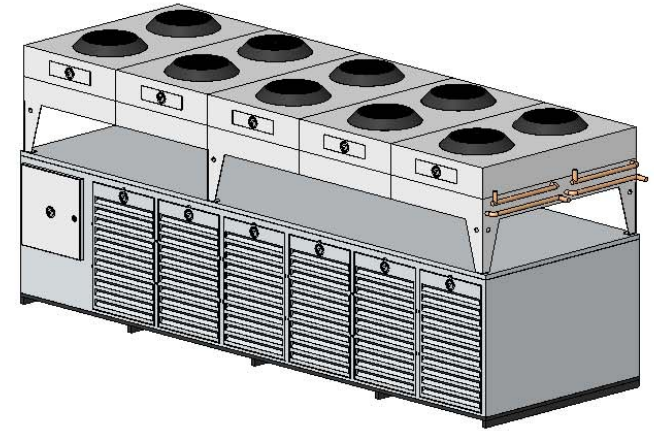
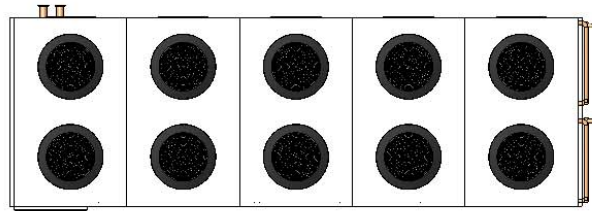
² All capacities at 90 °F ambient

³ VFD available upon request

Chiller package consists of the following:

- Three complete refrigeration circuits
- Air-cooled condenser
- Process pump³
- Chiller pump
- Fluid bypass valve
- Freeze stat safety switch
- All insulated copper piping
- Powder coated steel frame
- Powder coated aluminum housing
- Semi-hermetic reciprocating compressors with capacity unloading
- Engineered high efficiency heat exchanger for maximum energy savings
- Insulated stainless steel glycol reservoir with baffle plate
- Microprocessor controller with communication
- ETL (UL508) listed complete control panel with single point electrical connection, breakers, starters & safety switches
- CTS flange glycol supply and return connections
- Louvered aluminum access panels for easy service & maintenance
- Factory run tested and fully charged with refrigerant

1 Year Parts and Labor Warranty



GD-150H-3C

VERTICAL AIR CHILLER



G&D CHILLERS

COMMITTED TO COLD

○ EST 1993 ○

760 BAILEY HILL ROAD EUGENE, OR 97402 · TEL (541) 345-3903 (800) 555-0973