



HEATER MODEL: **GD-200K**

230 Volt 1 Phase	
FLA	-
MCA	-
MOC	-

230 Volt 3 Phase	
FLA	15
MCA	18
MOC	30

460 Volt 3 Phase	
FLA	8
MCA	9
MOC	15

Dimensions	48"W x 84"L x 62"H
Frame	Powder Coated Steel
Housing	Powder Coated Aluminum
Tank	110 Gallon Stainless Steel
Process Pump HP	3
GPM @ 25 PSI	85
Connection Size	1.5" FPT
Heater Pump HP	0.75
Controls	Single Stage Digital

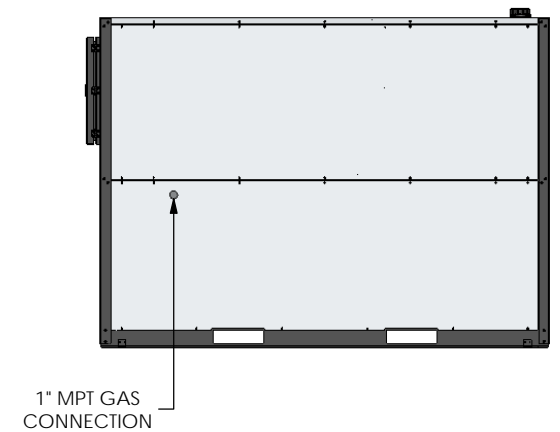
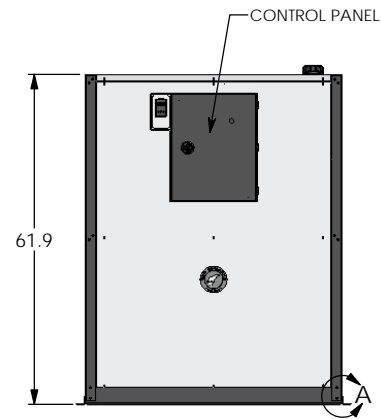
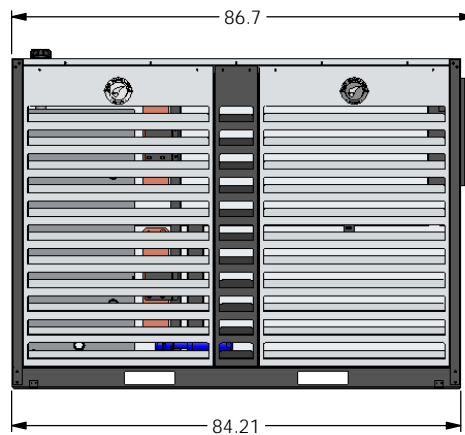
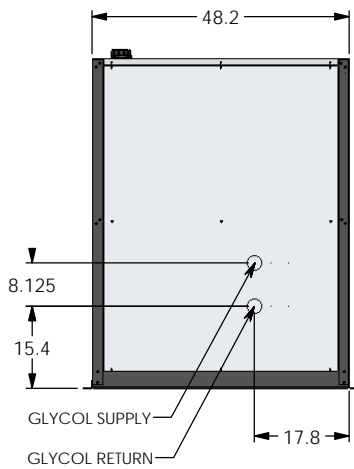
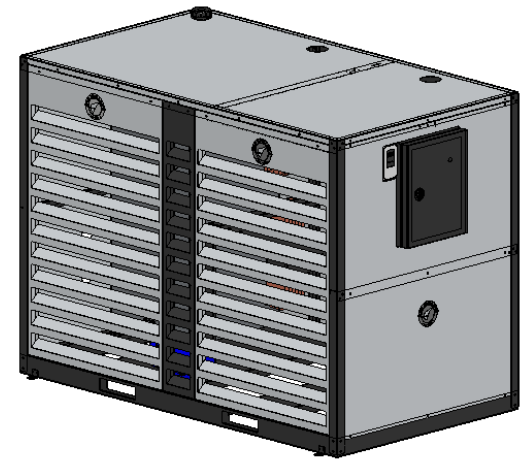
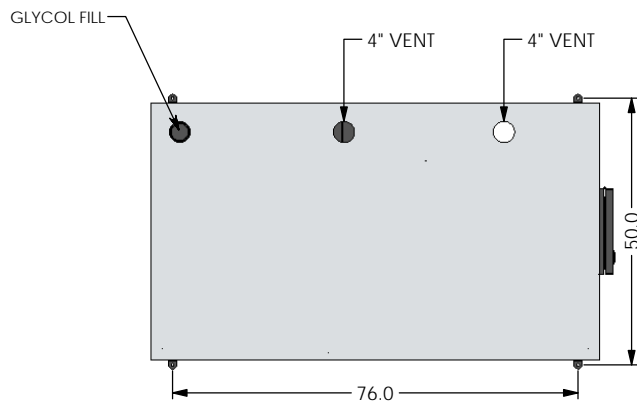
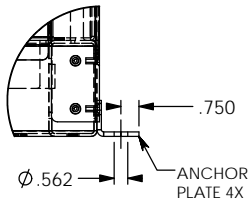
Heater	LP or NG
Electrical Enclosure	NEMA 4
Shipping Weight	850 lbs
Decibels @ 10'	60
Heating Capacity (Btu/H)	200,000

Heater package consists of the following:

- 200,000 Btu/H boiler available in LP or NG
- Process pump
- Heater pump
- Fluid bypass valve
- Insulated stainless steel glycol reservoir
- All insulated copper piping
- Powder coated steel frame
- Powder coated aluminum housing
- Engineered high efficiency heat exchanger for maximum energy savings
- Digital temperature controller with Hi/Limit safety switch
- Brass ball valves for supply and return glycol connections
- Louvered aluminum access panels for easy service & maintenance
- ETL (UL508) listed complete control panel with single point electrical connection, breakers, starters & safety switches
- Factory run tested

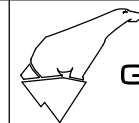
1 Year Parts and Labor Warranty

DETAIL A
SCALE 1 : 4



GD-200K-400K

STATIONARY GLYCOL HEATER



G&D CHILLERS

COMMITTED TO COLD

○ EST 1993 ○

760 BAILEY HILL ROAD EUGENE, OR 97402 - TEL (541) 345-3903 (800) 555-0973