



CHILLER MODEL: GD-27H

| 230 Volt 1 Phase | |
|------------------|---|
| FLA | - |
| MCA | - |
| MOC | - |

| 230 Volt 3 Phase | |
|------------------|-----|
| FLA | 122 |
| MCA | 133 |
| MOC | 178 |

| 460 Volt 3 Phase | |
|------------------|----|
| FLA | 62 |
| MCA | 70 |
| MOC | 91 |

| | |
|-------------------------|-----------------------------------|
| Dimensions ¹ | 48"W x 120"L x 81"H |
| Frame | Powder Coated Steel |
| Housing | Powder Coated Aluminum |
| Tank | 230 Gallon Crosslinked Poly (PEX) |
| Compressor HP | 13.5 (x2) |
| Condenser | Air-Cooled |
| Process Pump HP | 5 |
| GPM @ 25 PSI | 150 |
| Connection Size | 2" CTS Flange |
| Chiller Pump HP | 1.5 |
| Heat Exchanger | Stainless Steel Brazed Plate |
| Controls | Multi Stage Digital |

| | |
|----------------------|----------|
| Electrical Enclosure | NEMA 4 |
| Shipping Weight | 2250 lbs |
| Decibels @ 10' | 70 |
| Refrigerant | R404a |

Cooling Capacity by Leaving Fluid Temperature ²

| LFT | Btu/H | kW |
|-------|---------|------|
| 20 °F | 155,822 | 45.7 |
| 30 °F | 190,164 | 55.7 |
| 40 °F | 228,386 | 66.9 |

¹ Dimensions accurate for package chiller, remote condenser options will vary

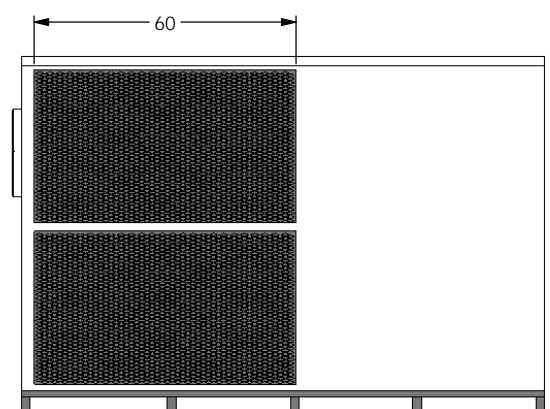
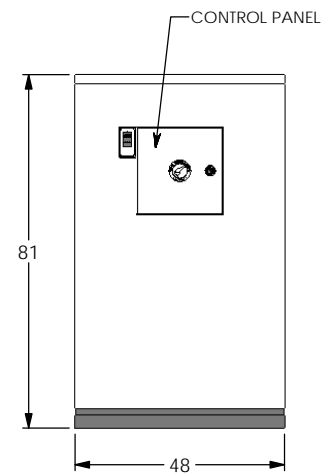
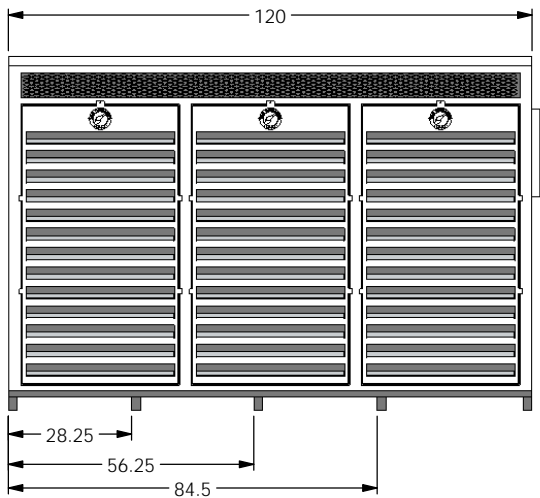
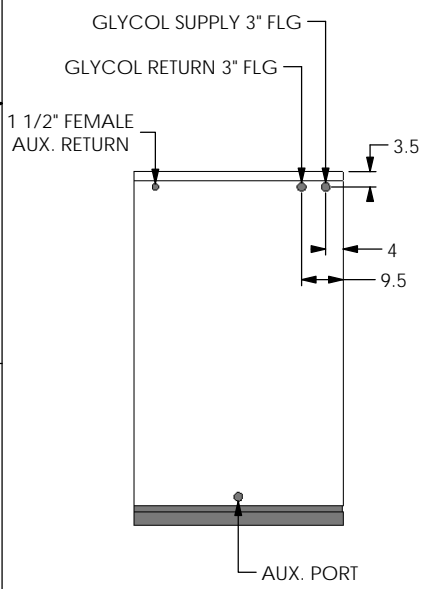
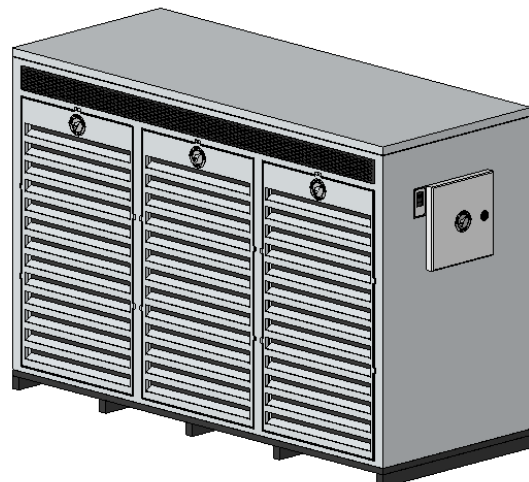
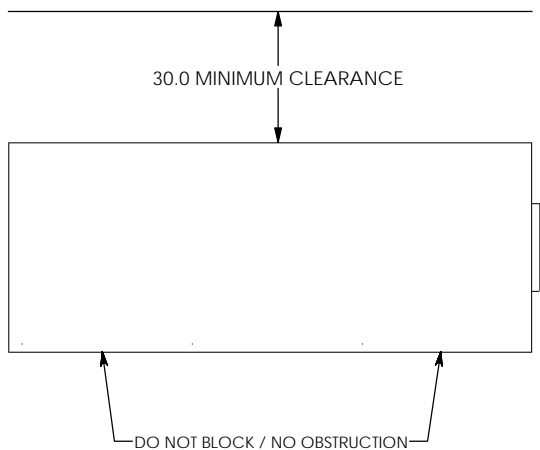
² All capacities at 90 °F ambient

³ VFD available upon request

Chiller package consists of the following:

- Two complete refrigeration circuits
- Air-cooled condenser
- Process pump³
- Chiller pump
- Fluid bypass valve
- Freeze stat safety switch
- All insulated copper piping
- Powder coated steel frame
- Powder coated aluminum housing
- Digital temperature controller with alternating relay for equal runtime of each compressor
- Engineered high efficiency heat exchanger for maximum energy savings
- Insulated crosslinked polyethylene (PEX) glycol reservoir
- ETL (UL508) listed complete control panel with single point electrical connection, breakers, starters & safety switches
- CTS flange glycol supply and return connections
- Louvered aluminum access panels for easy service & maintenance
- Factory run tested and fully charged with refrigerant

1 Year Parts and Labor Warranty



GD-20 / 27H

STATIONARY CHILLER



COMMITTED TO COLD

EST 1993

760 BAILEY HILL ROAD EUGENE, OR 97402 - TEL (541) 345-3903 (800) 555-0973