



## CHILLER MODEL: GD-27H

| 230 Volt 1 Phase |   |
|------------------|---|
| FLA              | - |
| MCA              | - |
| MOC              | - |

| 230 Volt 3 Phase |     |
|------------------|-----|
| FLA              | 122 |
| MCA              | 133 |
| MOC              | 178 |

| 460 Volt 3 Phase |    |
|------------------|----|
| FLA              | 62 |
| MCA              | 70 |
| MOC              | 91 |

|                         |                                   |
|-------------------------|-----------------------------------|
| Dimensions <sup>1</sup> | 48"W x 120"L x 81"H               |
| Frame                   | Powder Coated Steel               |
| Housing                 | Powder Coated Aluminum            |
| Tank                    | 230 Gallon Crosslinked Poly (PEX) |
| Compressor HP           | 13.5 (x2)                         |
| Condenser               | Air-Cooled                        |
| Process Pump HP         | 5                                 |
| GPM @ 25 PSI            | 150                               |
| Connection Size         | 2" CTS Flange                     |
| Chiller Pump HP         | 1.5                               |
| Heat Exchanger          | Stainless Steel Brazed Plate      |
| Controls                | Multi Stage Digital               |

|                      |          |
|----------------------|----------|
| Electrical Enclosure | NEMA 3R  |
| Shipping Weight      | 2250 lbs |
| Decibels @ 10'       | 70       |
| Refrigerant          | R404a    |

### Cooling Capacity by Leaving Fluid Temperature <sup>2</sup>

| LFT   | Btu/H   | kW   |
|-------|---------|------|
| 20 °F | 155,822 | 45.7 |
| 30 °F | 190,164 | 55.7 |
| 40 °F | 228,386 | 66.9 |

<sup>1</sup> Dimensions accurate for package chiller, remote condenser options will vary

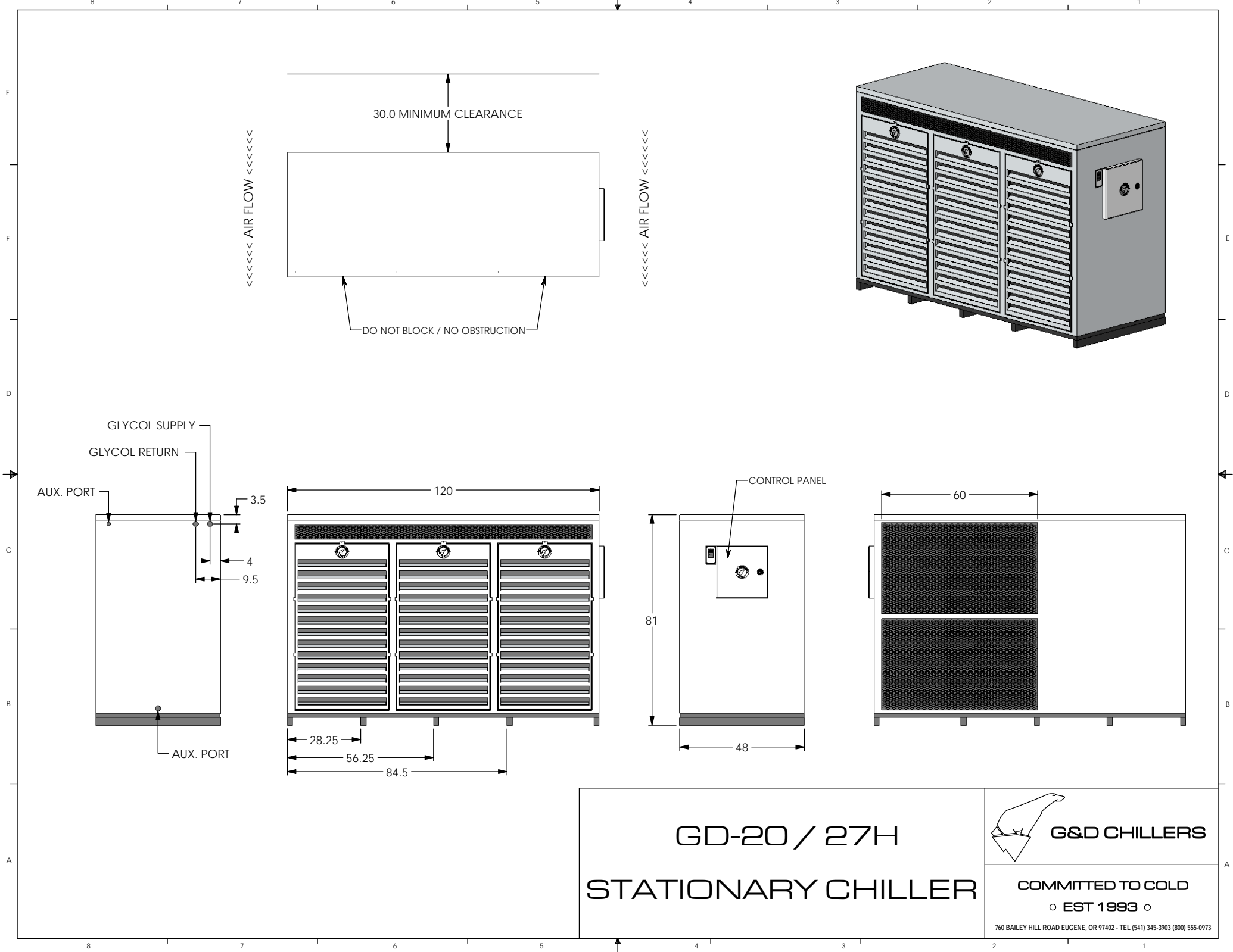
<sup>2</sup> All capacities at 90 °F ambient

<sup>3</sup> VFD available upon request

### Chiller package consists of the following:

- Two complete refrigeration circuits
- Air-cooled condenser
- Process pump<sup>3</sup>
- Chiller pump
- Fluid bypass valve
- Freeze stat safety switch
- All insulated copper piping
- Powder coated steel frame
- Powder coated aluminum housing
- Digital temperature controller with alternating relay for equal runtime of each compressor
- Engineered high efficiency heat exchanger for maximum energy savings
- Insulated crosslinked polyethylene (PEX) glycol reservoir
- ETL (UL508) listed complete control panel with single point electrical connection, breakers, starters & safety switches
- CTS flange glycol supply and return connections
- Louvered aluminum access panels for easy service & maintenance
- Factory run tested and fully charged with refrigerant

**1 Year Parts and Labor Warranty**

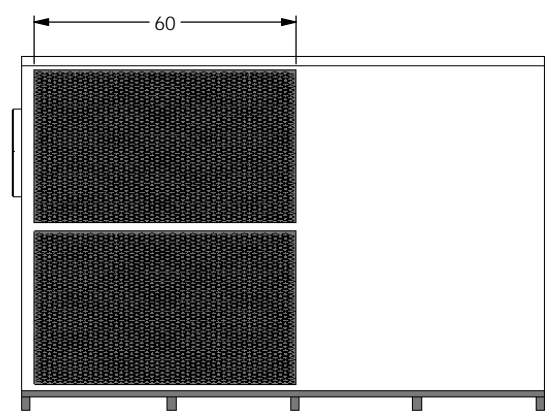
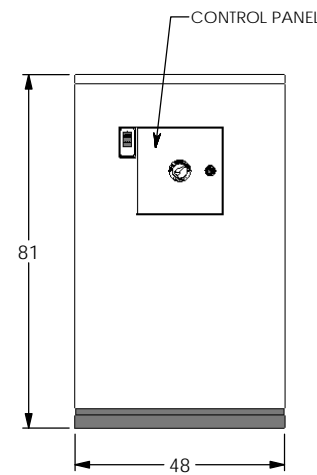
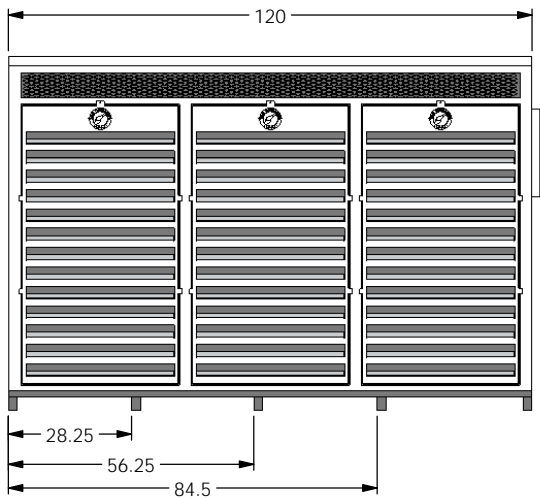
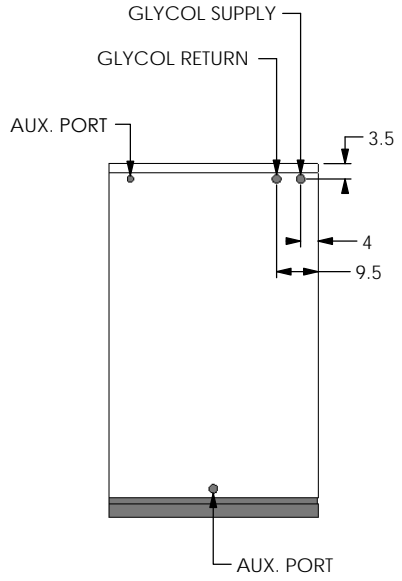
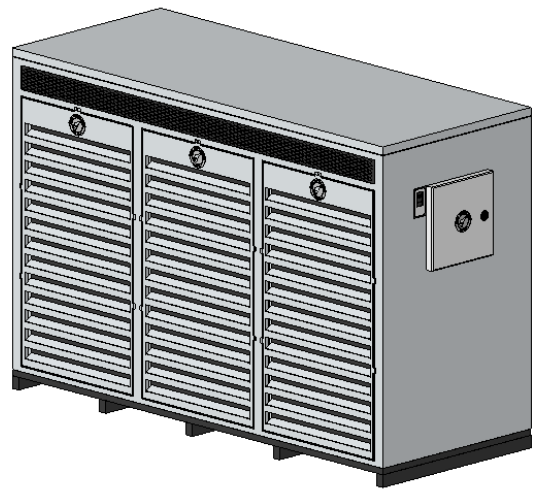


30.0 MINIMUM CLEARANCE

←←←←← AIR FLOW ←←←←←

←←←←← AIR FLOW ←←←←←

DO NOT BLOCK / NO OBSTRUCTION



# GD-20 / 27H STATIONARY CHILLER



COMMITTED TO COLD  
EST 1993

760 BAILEY HILL ROAD EUGENE, OR 97402 - TEL (541) 345-3903 (800) 555-0973