



## CHILLER MODEL: GD-7x7H

230 Volt 1 Phase	
FLA	-
MCA	-
MOC	-

230 Volt 3 Phase	
FLA	68
MCA	75
MOC	101

460 Volt 3 Phase	
FLA	30
MCA	33
MOC	44

Dimensions <sup>1</sup>	48"W x 84"L x 62"H
Frame	Powder Coated Steel
Housing	Powder Coated Aluminum
Tank	115 Gallon Stainless Steel
Compressor HP	7 (x2)
Condenser	Air-Cooled
Glycol Pump HP	2
GPM @ 25 PSI	65
Connection Size	1.5" FPT
Heat Exchanger	Stainless Steel Brazed Plate
Controls	Multi Stage Digital

Electrical Enclosure	NEMA 4
Shipping Weight	1850 lbs
Decibels @ 10'	65
Refrigerant	R404a

### Cooling Capacity by Leaving Fluid Temperature <sup>2</sup>

LFT	Btu/H	kW
20 °F	82,790	24.3
30 °F	102,092	29.9
40 °F	123,648	36.2

<sup>1</sup> Dimensions accurate for package chiller, remote condenser options will vary

<sup>2</sup> All capacities at 90 °F ambient

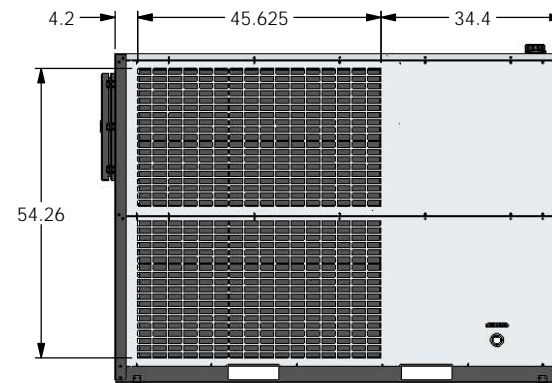
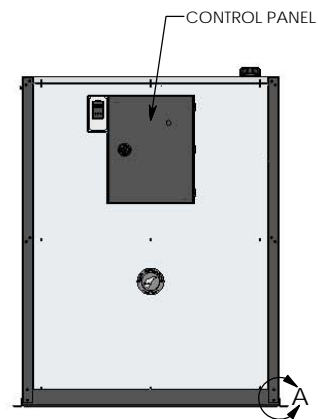
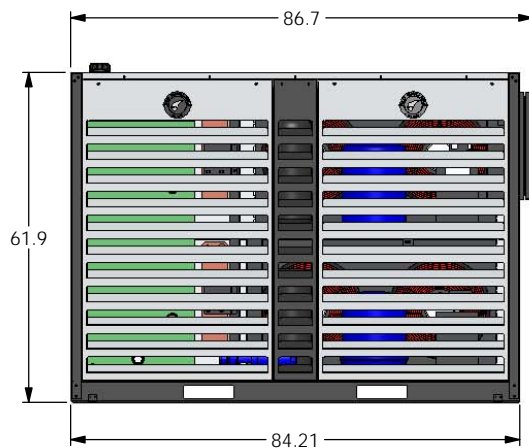
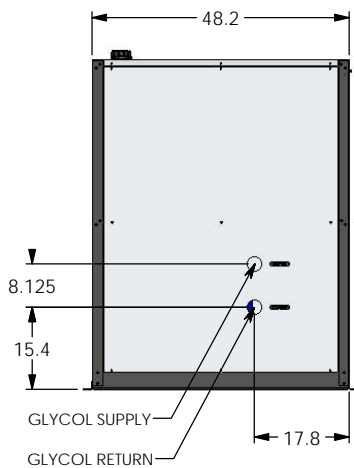
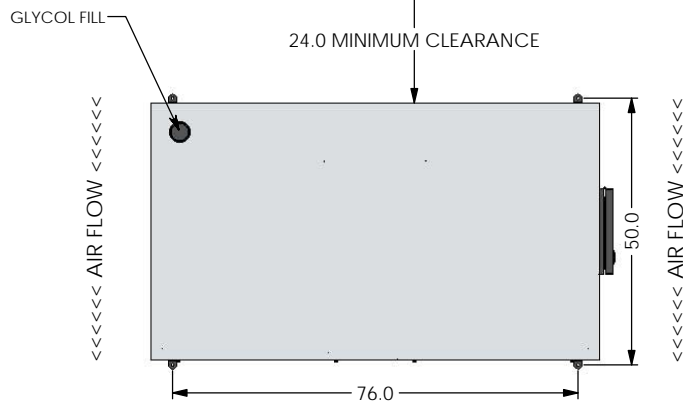
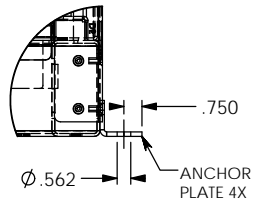
<sup>3</sup> VFD available upon request

### Chiller package consists of the following:

- Two complete refrigeration circuits
- Air-cooled condenser
- Glycol pump<sup>3</sup>
- Fluid bypass valve
- Freeze stat safety switch
- All insulated copper piping
- Powder coated steel frame
- Powder coated aluminum housing
- Insulated stainless steel glycol reservoir
- Digital temperature controller with alternating relay for equal runtime of each compressor
- Engineered high efficiency heat exchanger for maximum energy savings
- ETL (UL508) listed complete control panel with single point electrical connection, breakers, starters & safety switches
- Brass ball valves for supply and return glycol connections
- Louvered aluminum access panels for easy service & maintenance
- Factory run tested and fully charged with refrigerant

**1 Year Parts and Labor Warranty**

DETAIL A  
SCALE 1 : 4



# GD-5X5 / 7X7H STATIONARY CHILLER



**G&D CHILLERS**

COMMITTED TO COLD

○ EST 1993 ○

760 BAILEY HILL ROAD EUGENE, OR 97402 - TEL (541) 345-3903 (800) 555-0973