



CHILLER MODEL: GD-35H-1C

230 Volt 1 Phase	
FLA	-
MCA	-
MOC	-

230 Volt 3 Phase	
FLA	150
MCA	180
MOC	300

460 Volt 3 Phase	
FLA	75
MCA	90
MOC	150

Dimensions ¹	45"W x 161"L x 95"H
Frame	Powder Coated Steel
Housing	Powder Coated Aluminum
Tank	500 Gallon Stainless Steel
Compressor HP	35
Condenser	Air-Cooled Vertical Discharge
Process Pump HP	5
GPM @ 25 PSI	150
Connection Size	3" CTS Flange
Chiller Pump HP	2
Heat Exchanger	Stainless Steel Brazed Plate
Controls	Microprocessor w/ Comm.

Electrical Enclosure	NEMA 3R
Shipping Weight	3030 lbs
Decibels @ 10'	72
Refrigerant	R404a

Cooling Capacity by Leaving Fluid Temperature ²

LFT	Btu/H	kW
20 °F	215,000	63.0
30 °F	272,000	79.7
40 °F	339,000	99.4

¹ Dimensions accurate for package chiller, remote condenser options will vary

² All capacities at 90 °F ambient

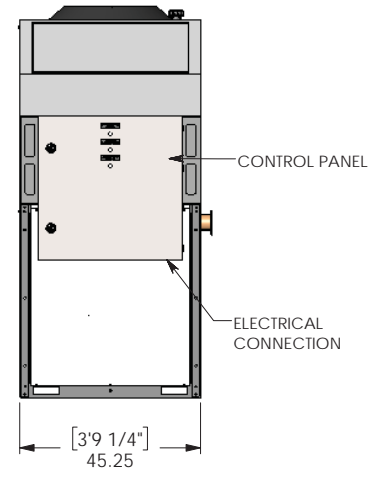
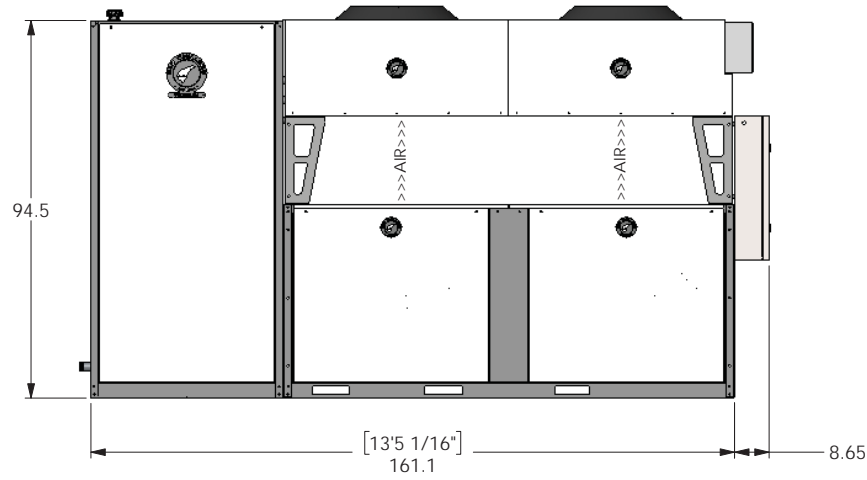
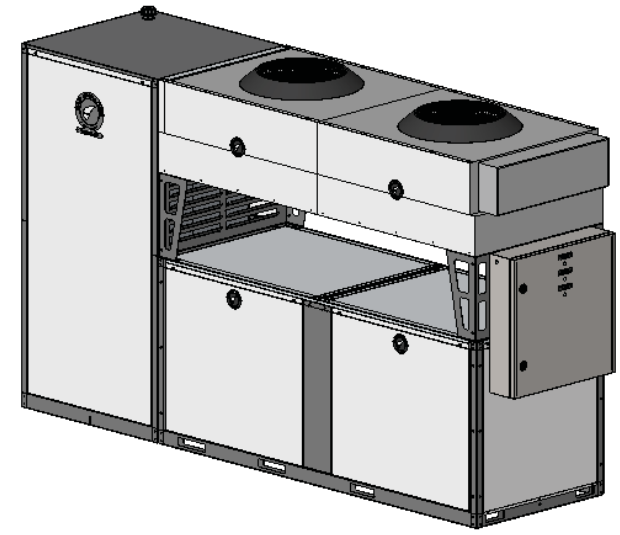
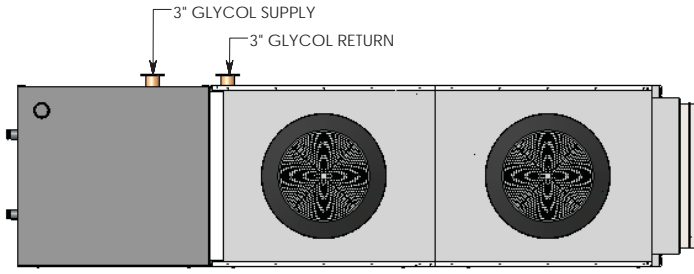
³ VFD available upon request

Chiller package consists of the following:

- Complete refrigeration circuit
- Air-cooled condenser
- Process pump³
- Chiller pump
- Fluid bypass valve
- Freeze stat safety switch
- All insulated copper piping
- Powder coated steel frame
- Powder coated aluminum housing
- Semi-hermetic reciprocating compressors with capacity unloading
- Engineered high efficiency heat exchanger for maximum energy savings
- Insulated stainless steel glycol reservoir with baffle plate
- Microprocessor controller with communication
- ETL (UL508) listed complete control panel with single point electrical connection, breakers, starters & safety switches
- CTS flange glycol supply and return connections
- Louvered aluminum access panels for easy service & maintenance
- Factory run tested and fully charged with refrigerant

2 Year Parts and 1 Year Labor Warranty

REVISIONS				
ZONE	REV.	DESCRIPTION	DATE	APPROVED



GD-35H-1 C

VERTICAL AIR CHILLER



G&D CHILLERS

COMMITTED TO COLD

○ EST 1993 ○

760 BAILEY HILL ROAD EUGENE, OR 97402 - TEL (541) 345-3903 (800) 555-0973