



## PORTABLE CHILLER MODEL: CH-3

230 Volt 1 Phase	
FLA	27
MCA	30
MOC	51

230 Volt 3 Phase	
FLA	18
MCA	21
MOC	32

460 Volt 3 Phase	
FLA	8
MCA	10
MOC	15

Dimensions	32"W x 48"L x 40"H
Frame	Powder Coated Steel
Housing	Stainless Steel
Tank	30 Gallon Stainless Steel
Compressor HP	3
Condenser	Air-Cooled
Glycol Pump HP	0.75
GPM @ 25 PSI	25
Connection Size	0.75" Brass Quick Connects (x4)
Heat Exchanger	Stainless Steel Brazed Plate
Controls	Single Stage Digital

Electrical Enclosure	NEMA 3R
Shipping Weight	900 lbs
Decibels @ 10'	62
Refrigerant	R404a

*Cooling Capacity by Leaving Fluid Temperature<sup>1</sup>*

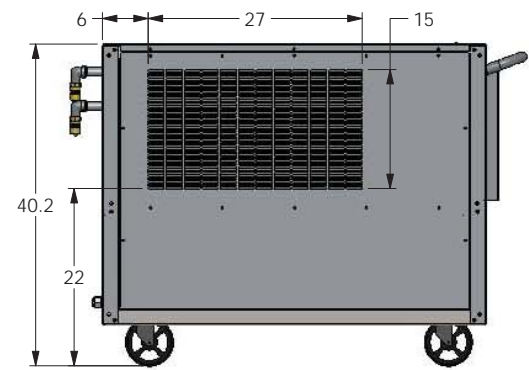
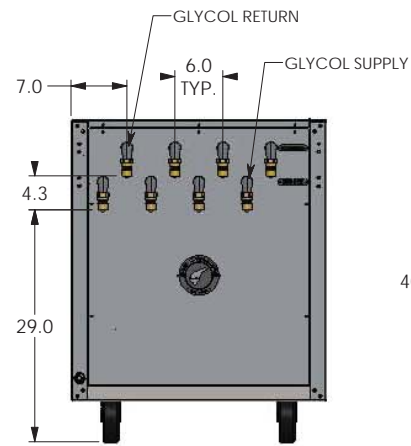
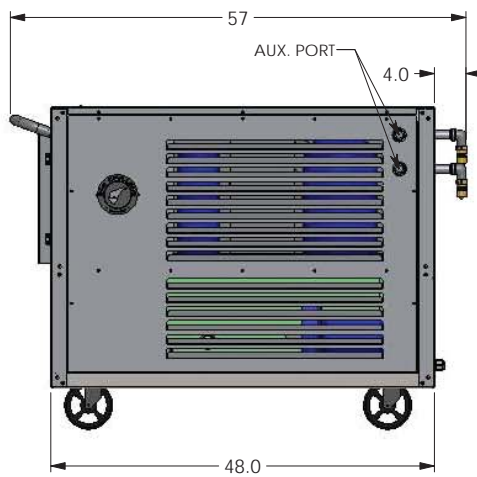
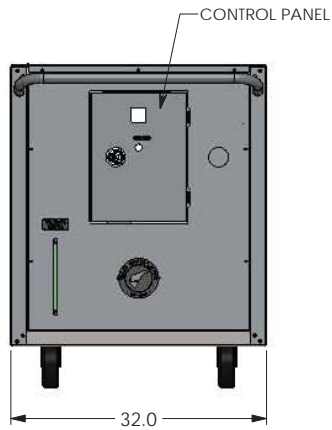
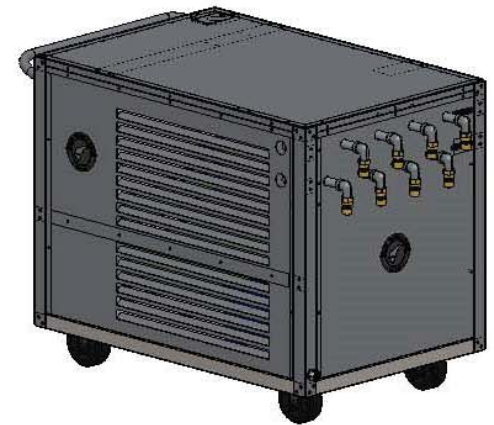
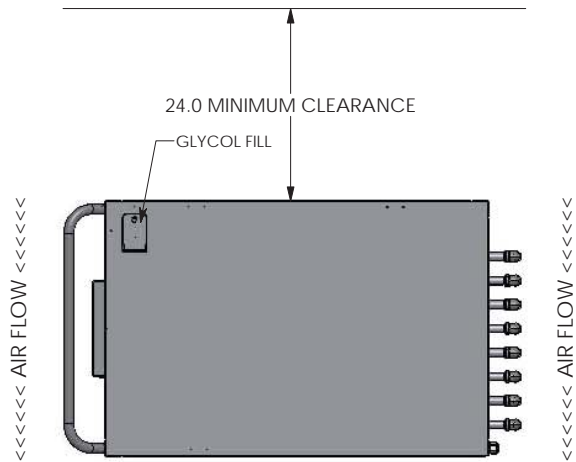
LFT	Btu/H	kW
20 °F	17,213	5.0
30 °F	21,436	6.3
40 °F	26,098	7.6

<sup>1</sup> All capacities at 90 °F ambient

### Portable chiller package consists of the following:

- Complete refrigeration circuit
- Air-cooled condenser
- Glycol pump
- Fluid bypass valve
- Freeze stat safety switch
- Digital temperature controller
- All insulated copper piping
- Stainless steel housing
- Powder coated steel frame
- Engineered high efficiency heat exchanger for maximum energy savings
- Insulated stainless steel glycol reservoir
- Heavy duty rubber-on-steel casters for easy portability
- Brass quick connects for cooling up to 4 tanks at once without loss of glycol
- One set of 20 ft. glycol hoses and 25 ft. power cord
- ETL (UL508) listed complete control panel with single point electrical connection, breakers, starters & safety switches
- Louvered stainless steel access panels for easy service & maintenance
- Factory run tested and fully charged with refrigerant

***2 Year Parts and 1 Year Labor Warranty***



# CH-3

## PORTABLE CHILLER



**G&D CHILLERS**

COMMITTED TO COLD

○ EST 1993 ○

760 BAILEY HILL ROAD EUGENE, OR 97402 · TEL (541) 345-3903 (800) 555-0973