



## CHILLER MODEL: GD-200H-4C

230 Volt 1 Phase	
FLA	-
MCA	-
MOC	-

230 Volt 3 Phase	
FLA	-
MCA	-
MOC	-

460 Volt 3 Phase	
FLA	444
MCA	468
MOC	564

Dimensions <sup>1</sup>	91"W x 328"L x 121"H
Frame	Powder Coated Steel
Housing	Powder Coated Aluminum
Tank	2000 Gallon Stainless Steel
Compressor HP	50 (x4)
Condenser	Air-Cooled Vertical Discharge
Process Pump HP	15
GPM @ 25 PSI	470
Connection Size	6" CTS Flange
Chiller Pump HP	5 (x2)
Heat Exchanger	Stainless Steel Brazed Plate
Controls	Microprocessor w/ Comm.

Electrical Enclosure	NEMA 3R
Operating Weight	30500 lbs
Decibels @ 10'	79.5
Refrigerant	R404a

### Cooling Capacity by Leaving Fluid Temperature <sup>2</sup>

LFT	Btu/H	kW
20 °F	1,236,000	362.2
30 °F	1,568,000	459.5
40 °F	1,956,000	573.2

<sup>1</sup> Dimensions accurate for package chiller, remote condenser options will vary

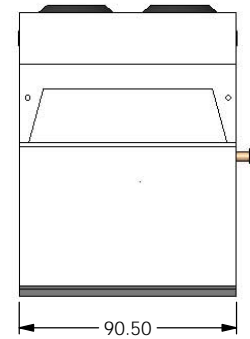
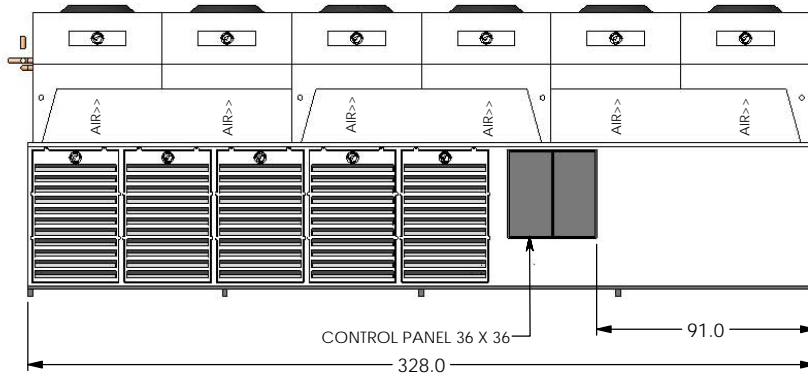
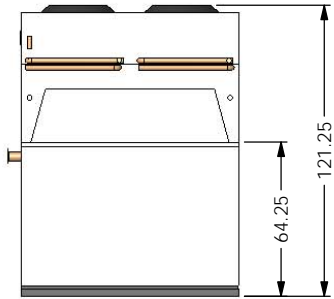
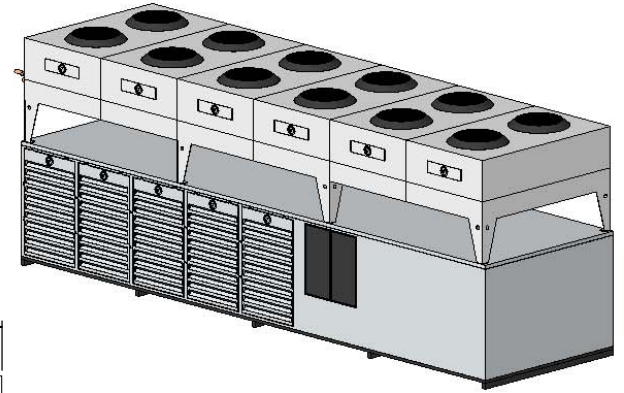
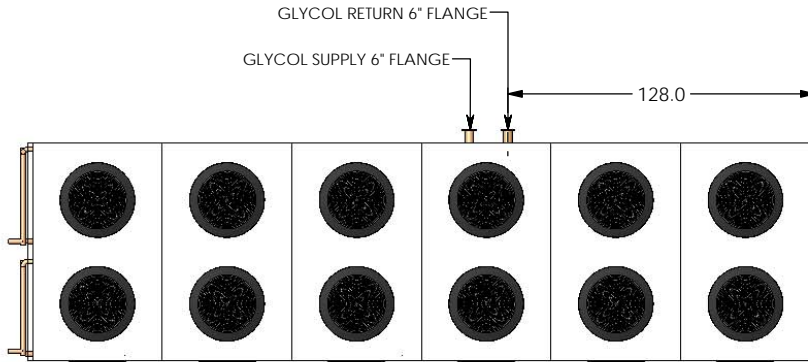
<sup>2</sup> All capacities at 90 °F ambient

<sup>3</sup> VFD available upon request

### Chiller package consists of the following:

- Four complete refrigeration circuits
- Air-cooled condenser
- Process pump<sup>3</sup>
- Two chiller pumps
- Fluid bypass valve
- Freeze stat safety switch
- All insulated copper piping
- Powder coated steel frame
- Powder coated aluminum housing
- Semi-hermetic reciprocating compressors with capacity unloading
- Engineered high efficiency heat exchanger for maximum energy savings
- Insulated stainless steel glycol reservoir with baffle plate
- Microprocessor controller with communication
- ETL (UL508) listed complete control panel with single point electrical connection, breakers, starters & safety switches
- CTS flange glycol supply and return connections
- Louvered aluminum access panels for easy service & maintenance
- Factory run tested and fully charged with refrigerant

**2 Year Parts and 1 Year Labor Warranty**



# GD-200H-4C

## VERTICAL AIR CHILLER



COMMITTED TO COLD  
 ○ EST 1993 ○

760 BAILEY HILL ROAD EUGENE, OR 97402 - TEL (541) 345-3903 (800) 555-0973