



CHILLER MODEL: GD-120H-4LC-VA4

230 Volt 1 Phase	
FLA	-
MCA	-
MOC	-

230 Volt 3 Phase	
FLA	486
MCA	512
MOC	618

460 Volt 3 Phase	
FLA	241
MCA	254
MOC	307

Dimensions ¹	91"W x 167"L x 102"H
Frame	Powder Coated Steel
Housing	Powder Coated Aluminum
Tank	190 Gallon Stainless Steel
Compressor	30 HP Two-Stage Recip (x4)
Condenser	Air-Cooled Vertical Discharge
Process Pump	7.5 HP
Flow Rate	100 GPM @ 25 PSI
Recirc Pump	5 HP
Connection Size	2" CTS Flange
Heat Exchanger	Stainless Steel Brazed Plate
Controls	Microprocessor w/ Comm.

Electrical Enclosure	NEMA 3R
Refrigerant	R404a

Cooling Capacity by Leaving Fluid Temperature²

LFT	Btu/H	kW
-50 °F	221,900	65.0
-40 °F	294,600	86.3
-30 °F	390,500	114.4

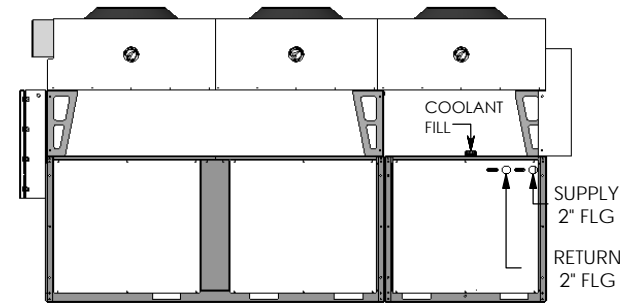
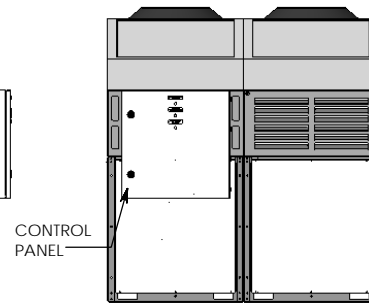
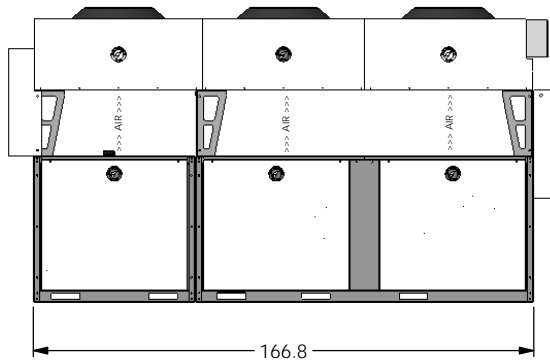
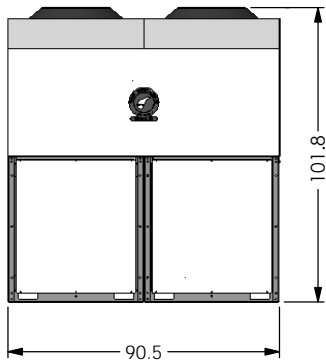
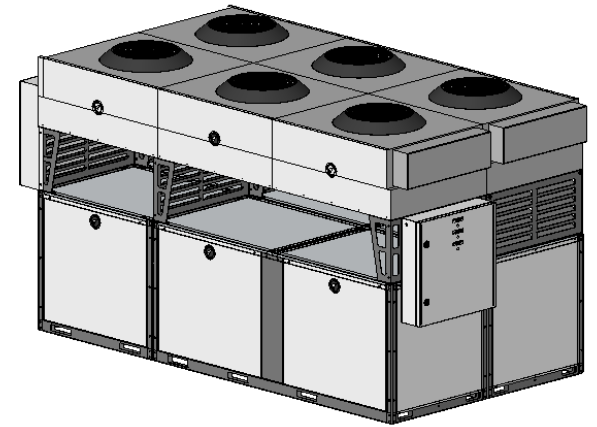
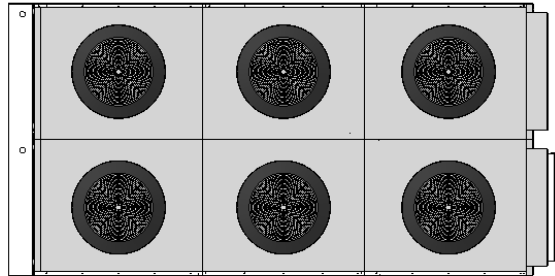
¹ Dimensions accurate for package chiller, remote condenser options will vary

²All capacities at 90 °F ambient

Chiller package consists of the following:

- Four complete refrigeration circuits
- Air-cooled condenser
- Process pump with VFD
- Recirculation pump
- Fluid bypass valve
- Freeze stat safety switch
- All insulated copper piping
- Powder coated steel frame
- Powder coated aluminum housing
- Semi-hermetic two-stage reciprocating compressors with subcoolers
- Engineered high efficiency heat exchanger for maximum energy savings
- Heavily insulated stainless steel coolant reservoir
- Microprocessor controller with communication
- ETL (UL508) listed complete control panel with single point electrical connection, breakers, starters & safety switches
- CTS flange coolant connections
- Louvered aluminum access panels for easy service & maintenance
- Factory run tested and fully charged with refrigerant

2 Year Parts and 1 Year Labor Warranty



GD-120H-4LC
 LOW TEMPERATURE CHILLER



G&D CHILLERS

COMMITTED TO COLD
 ○ EST 1993 ○

760 BAILEY HILL ROAD EUGENE, OR 97402 - TEL (541) 345-3903 (800) 555-0973