



CHILLER MODEL: GD-20T-2

230 Volt 1 Phase	
FLA	-
MCA	-
MOC	-

230 Volt 3 Phase	
FLA	100
MCA	110
MOC	151

460 Volt 3 Phase	
FLA	48
MCA	53
MOC	72

Dimensions ¹	45"W x 113"L x 108"H
Frame	Powder Coated Steel
Housing	Powder Coated Aluminum
Tank	190 Gallon Stainless Steel
Compressor	Tandem Scroll
Condenser	Air-Cooled Vertical Discharge
Glycol Pump HP	2
GPM @ 25 PSI	65
Connection Size	2" CTS Flange
Heat Exchanger	Stainless Steel Brazed Plate
Controls	Microprocessor w/ Comm.

Electrical Enclosure	NEMA 3R
Ship/Operating Weight	3,050/4,690 lbs
Decibels @ 10'	75
Refrigerant	R410a

Cooling Capacity by Leaving Fluid Temperature ²

LFT	Btu/H	kW
30 °F	192,000	56.3
40 °F	234,000	68.6
50 °F	280,000	82.1

1. Dimensions accurate for package chiller, remote condenser options will vary

2. All capacities at 90 °F ambient

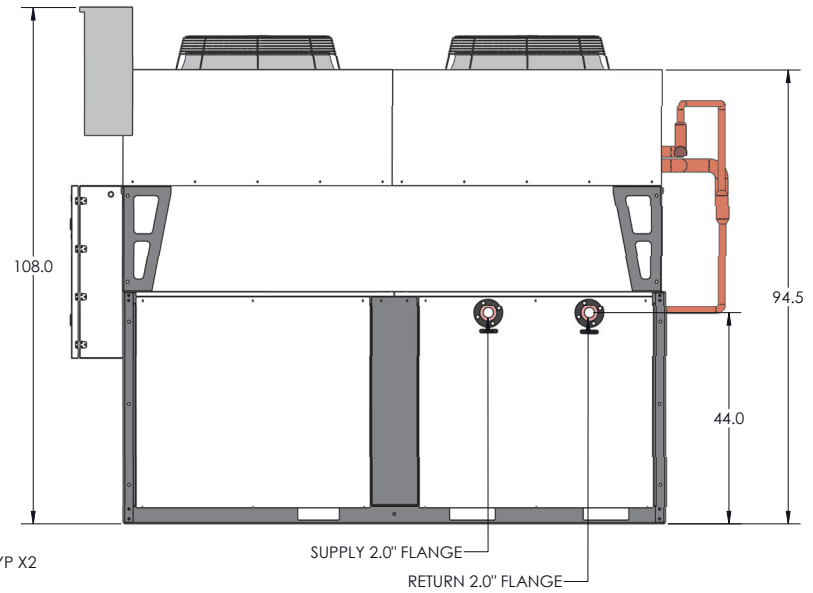
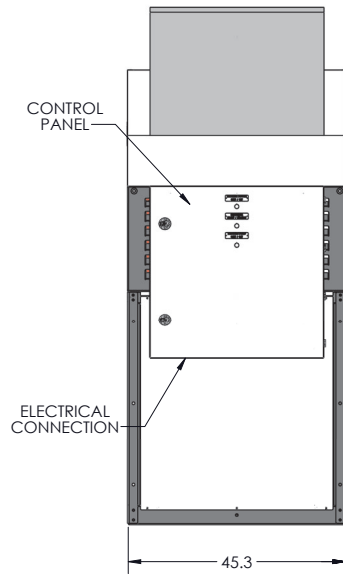
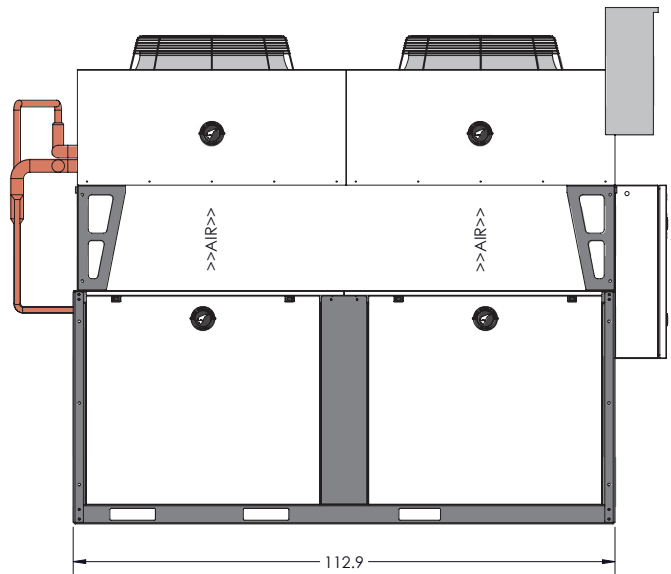
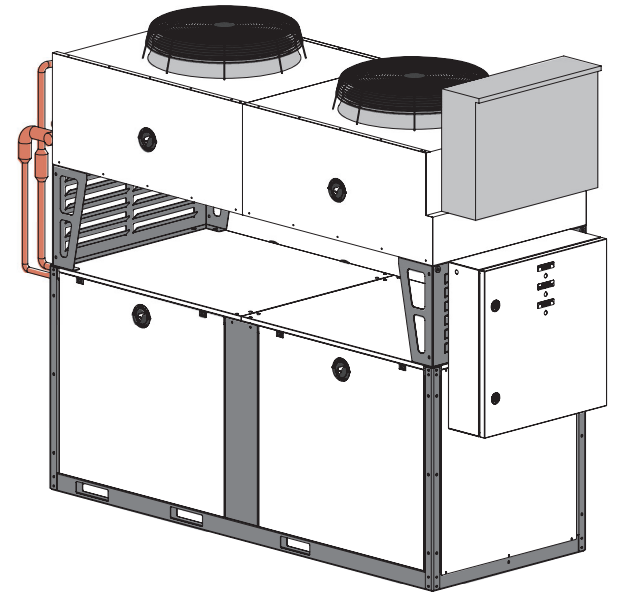
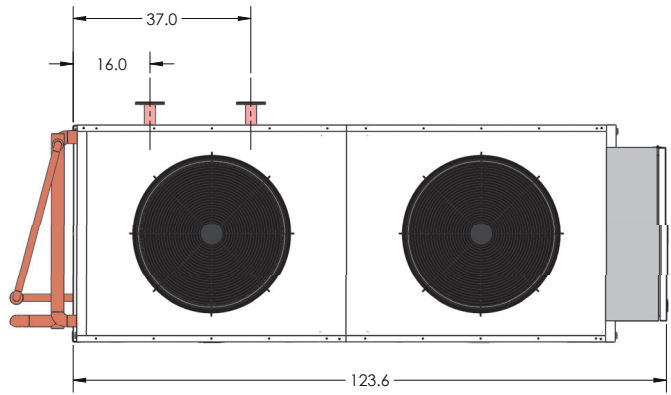
3. VFD available upon request

4. Specifications are subject to change without notice

Chiller package consists of the following:

- Complete refrigeration circuit
- Tandem scroll compressors
- Air-cooled condenser
- Glycol pump³
- Fluid bypass valve
- Freeze stat safety switch
- All insulated copper piping
- Powder coated steel frame
- Powder coated aluminum housing
- Engineered high efficiency heat exchanger for maximum energy savings
- Insulated stainless steel glycol reservoir with baffle plate
- Microprocessor controller with communication
- ETL (UL508) listed complete control panel with single point electrical connection, breakers, starters & safety switches
- CTS flange glycol supply and return connections
- Louvered aluminum access panels for easy service & maintenance
- Factory run tested and fully charged with refrigerant

2 Year Parts and 1 Year Labor Warranty



GD-20T-2

VERTICAL AIR CHILLER



G&D CHILLERS

COMMITTED TO COLD

o EST 1993 o

760 BAILEY HILL RD, EUGENE, OR 97402 - TEL (541) 345-3903 (800) 555-0973