



CHILLER MODEL: GD-30T-2

208-240 Volt 1 Phase	
FLA	-
MCA	-
MOC	-

208-230 Volt 3 Phase	
FLA	157
MCA	175
MOC	241

460-480 Volt 3 Phase	
FLA	77
MCA	86
MOC	118

Dimensions ¹	45"W x 140"L x 107"H
Frame	Powder Coated Steel
Housing	Powder Coated Aluminum
Tank	190 Gallon Stainless Steel
Compressors	Tandem Scroll
Condenser	Air-Cooled Vertical Discharge
Glycol Pump HP	5
GPM @ 25 PSI	120
Connection Size	2" CTS Flange
Heat Exchanger	Stainless Steel Brazed Plate
Controls	Microprocessor w/ Comm.

Electrical Enclosure	NEMA 3R
Ship/Operating Weight	3800/5400 lbs
Decibels @ 10'	71
Refrigerant	R410a

Cooling Capacity by Leaving Fluid Temperature²

LFT	Btu/H	kW
30 °F	316,000	92.6
40 °F	378,000	110.8
50 °F	444,000	130.1

¹ Dimensions accurate for package chiller, remote condenser options will vary

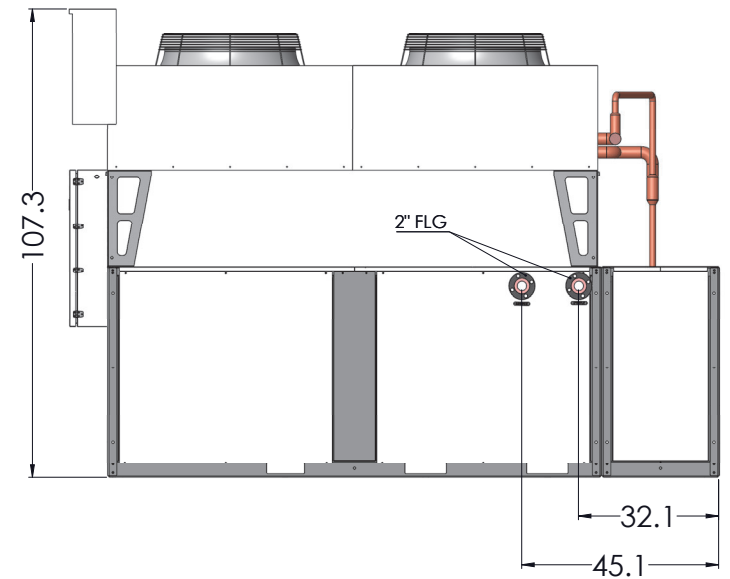
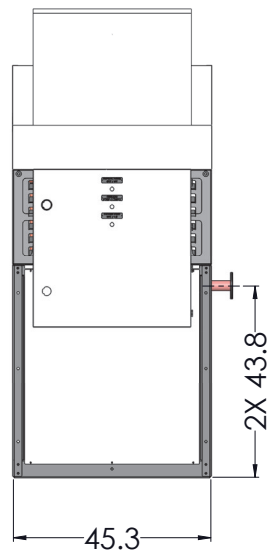
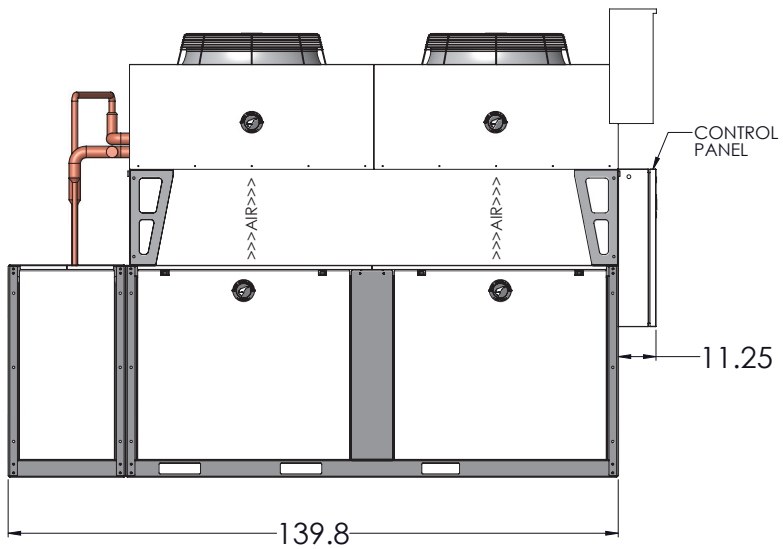
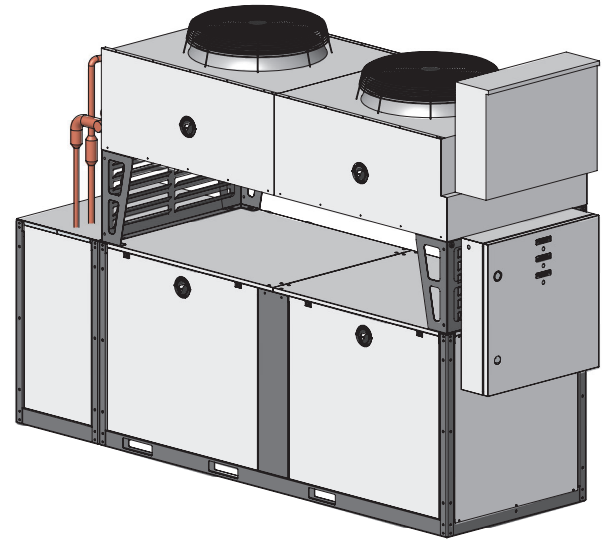
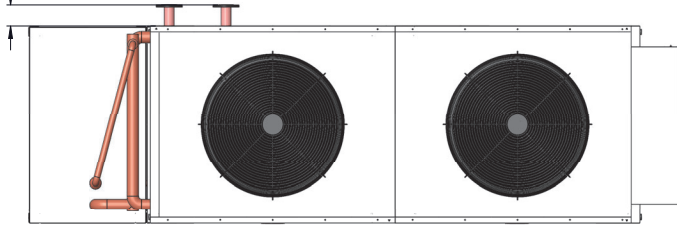
² All capacities at 90 °F ambient

Chiller package consists of the following:

- Complete refrigeration circuit
- Air-cooled condenser
- Tandem scroll compressors
- Chilled glycol pump
- Fluid bypass valve
- Freeze stat safety switch
- All insulated copper piping
- Powder coated steel frame
- Powder coated aluminum housing
- Engineered high efficiency heat exchanger for maximum energy savings
- Insulated stainless steel glycol reservoir with baffle plate
- Microprocessor controller with communication
- ETL (UL508) listed complete control panel with single point electrical connection, breakers, starters & safety switches
- CTS flange glycol supply and return connections
- Aluminum access panels for easy service & maintenance
- Factory run tested and fully charged with refrigerant

2 Year Parts and 1 Year Labor Warranty

2X 4.8



GD-30T-2 VERTICAL AIR CHILLER



G&D CHILLERS

COMMITTED TO COLD

o EST 1993 o

760 BAILEY HILL RD, EUGENE, OR 97402 - TEL (541) 345-3903 (800) 555-0973