



CHILLER MODEL: GD-3H

230 Volt 1 Phase	
FLA	27
MCA	30
MOC	51

230 Volt 3 Phase	
FLA	16
MCA	19
MOC	30

460 Volt 3 Phase	
FLA	8
MCA	10
MOC	15

Dimensions ¹	32"W x 52"L x 40"H
Frame	Powder Coated Steel
Housing	Powder Coated Aluminum
Tank	30 Gallon Stainless Steel
Compressor	3 HP
Condenser	Air-Cooled
Glycol Pump	0.75 HP
Process Flow	25 GPM @ 25 PSI
Connection Size	1" FPT
Heat Exchanger	Stainless Steel Brazed Plate
Controls	Single Stage Digital

Electrical Enclosure	NEMA 3R
Ship/Operating Weight	750/900 lbs
Decibels @ 10'	62 dBA
Refrigerant	R448A

Cooling Capacity by Leaving Fluid Temperature²

LFT	Btu/H	kW
20 °F	17,400	5.1
30 °F	21,800	6.4
40 °F	26,600	7.8

1. Package chiller dimensions, remote condenser options will vary

2. All capacities at 90 °F ambient

3. Specifications subject to change without notice

Chiller package consists of the following:

- Complete refrigeration circuit
- Air-cooled condenser
- Glycol pump
- Fluid bypass valve
- All insulated copper piping
- Powder coated steel frame
- Powder coated aluminum housing
- Engineered high efficiency heat exchanger for maximum energy savings
- Digital temperature controller
- Insulated stainless steel glycol reservoir
- ETL (UL508) listed complete control panel with single point electrical connection, breakers, starters & safety switches
- Louvered aluminum access panels for easy service & maintenance
- Factory run tested and fully charged with refrigerant

2 Years Parts and 1 Year Labor Warranty

8

7

6

5

4

3

2

1

F

E

D

C

B

A

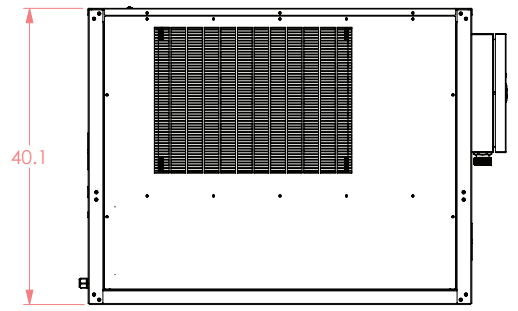
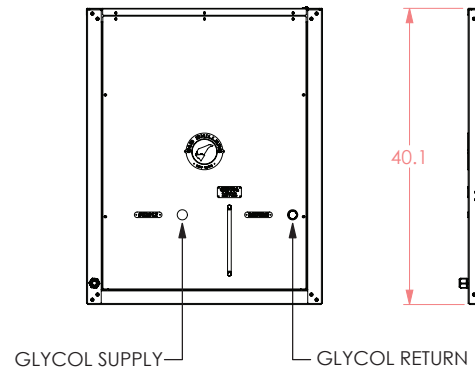
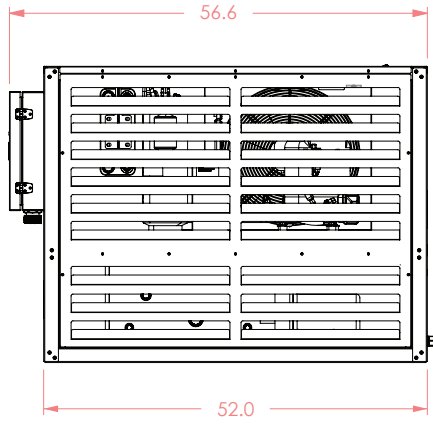
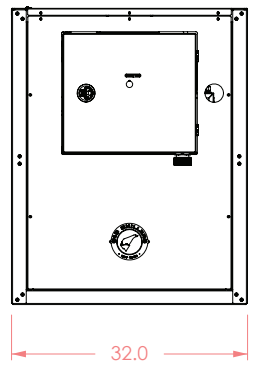
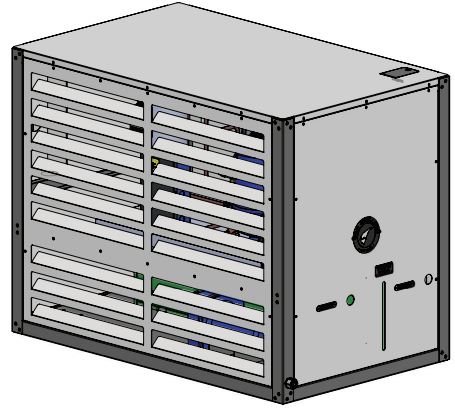
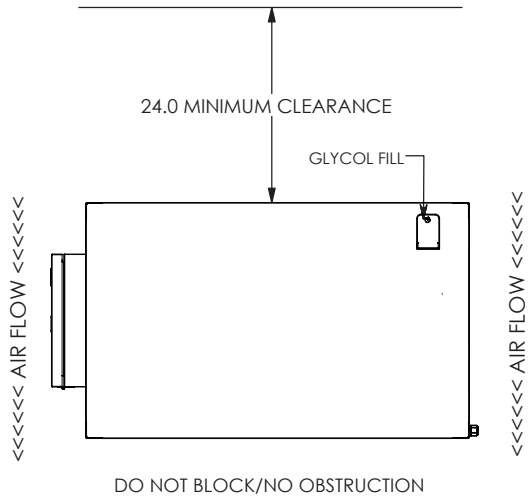
E

D

C

B

A



GD-3H

STATIONARY CHILLER



G&D CHILLERS

COMMITTED TO COLD

◦ EST 1993 ◦

780 BAILEY HILL ROAD EUGENE, OR 97402 - TEL. (541) 345-3903 (800) 555-0973

8

7

6

5

4

3

2

1