



CHILLER MODEL: GD-40T-2

230 Volt 1 Phase	
FLA	-
MCA	-
MOC	-

230 Volt 3 Phase	
FLA	210
MCA	231
MOC	300

460 Volt 3 Phase	
FLA	110
MCA	121
MOC	150

Dimensions ¹	45"W x 167"L x 108"H
Frame	Powder Coated Steel
Housing	Powder Coated Aluminum
Tank	430 Gallon Stainless Steel
Compressor	Tandem Scroll
Condenser	Air-Cooled Vertical Discharge
Process Pump HP	5
Coolant Flow Rate	150 GPM
Connection Size	3" CTS Flange
Chiller Pump HP	2.5
Heat Exchanger	Stainless Steel Brazed Plate
Controls	Microprocessor w/ Comm.

Electrical Enclosure	NEMA 3R
Ship/Operating Weight	4500/7950 lbs
Decibels @ 10'	77
Refrigerant	R410a

Cooling Capacity by Leaving Fluid Temperature²

LFT	Btu/H	kW
40 °F	485,000	142.1
50 °F	578,000	169.4
60 °F	677,000	198.4

¹ Dimensions accurate for package chiller, remote condenser options will vary

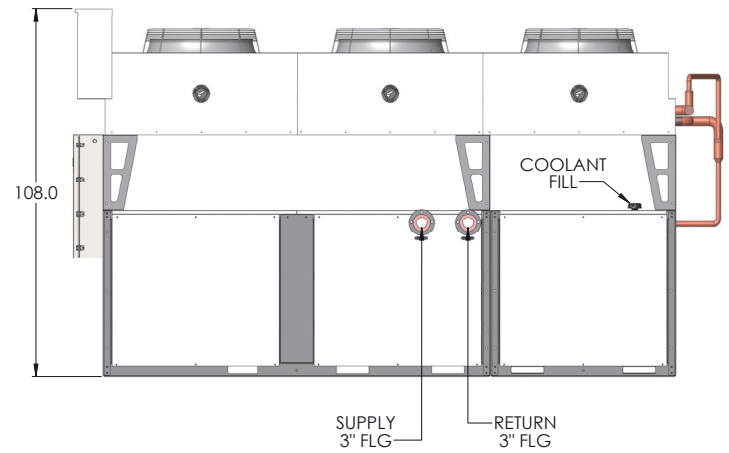
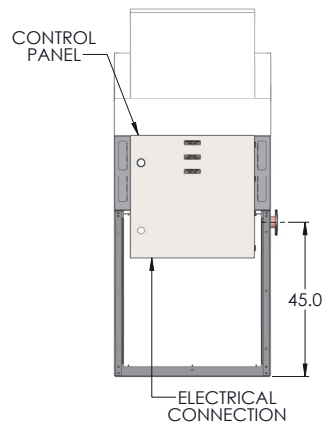
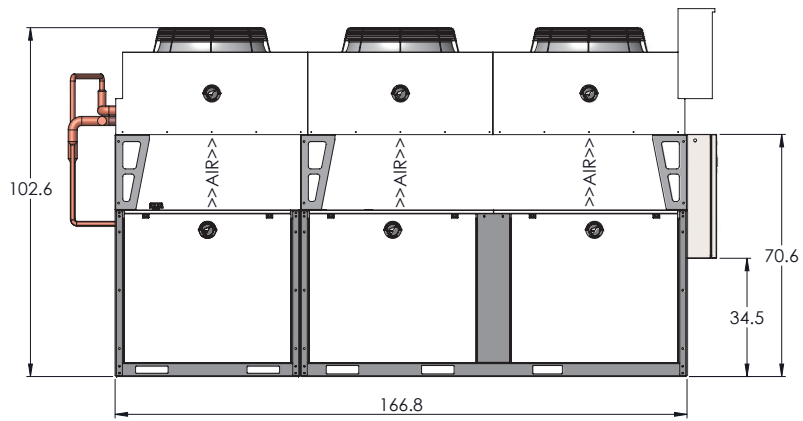
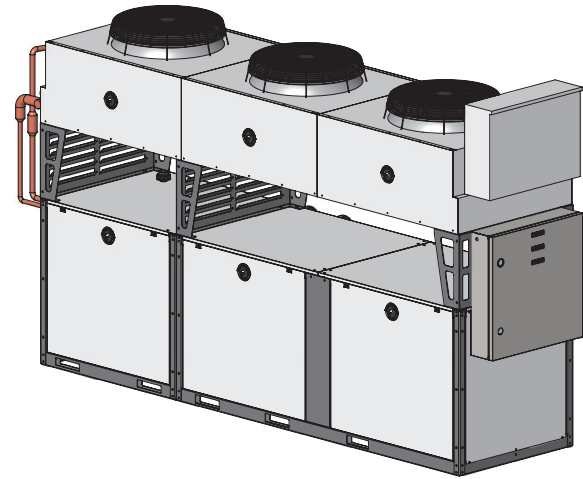
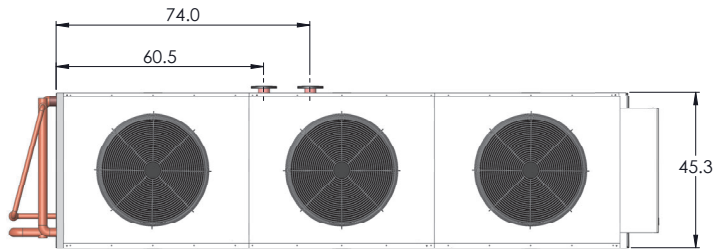
² All capacities at 90 °F ambient

³ VFD available upon request

Chiller package consists of the following:

- Complete refrigeration circuit
- Air-cooled condenser
- Process pump³
- Chiller pump
- Fluid bypass valve
- Freeze stat safety switch
- All insulated copper piping
- Powder coated steel frame
- Powder coated aluminum housing
- Tandem scroll compressors
- Engineered high efficiency heat exchanger for maximum energy savings
- Insulated stainless steel coolant reservoir with baffle plate
- Microprocessor controller with communication
- ETL (UL508) listed complete control panel with single point electrical connection, breakers, starters & safety switches
- CTS flange coolant supply and return connections
- Louvered aluminum access panels for easy service & maintenance
- Factory run tested and fully charged with refrigerant

2 Year Parts and 1 Year Labor Warranty



GD-40T-2

VERTICAL AIR CHILLER



G&D CHILLERS

COMMITTED TO COLD

o EST 1993 o

760 BAILEY HILL RD, EUGENE, OR 97402 - TEL (541) 345-3903 (800) 555-0973