



CHILLER MODEL: GD-50T-2

| 230 Volt 1 Phase | |
|------------------|---|
| FLA | - |
| MCA | - |
| MOC | - |

| 230 Volt 3 Phase | |
|------------------|-----|
| FLA | 260 |
| MCA | 287 |
| MOC | 396 |

| 460 Volt 3 Phase | |
|------------------|-----|
| FLA | 129 |
| MCA | 142 |
| MOC | 197 |

| | |
|-------------------------|-------------------------------|
| Dimensions ¹ | 45"W x 215"L x 113"H |
| Frame | Powder Coated Steel |
| Housing | Powder Coated Aluminum |
| Tank | 500 Gallon Stainless Steel |
| Compressor | Tandem Scroll |
| Condenser | Air-Cooled Vertical Discharge |
| Process Pump HP | 7.5 |
| GPM @ 25 PSI | 230 |
| Connection Size | 3" CTS Flange |
| Chiller Pump HP | 2 |
| Heat Exchanger | Stainless Steel Brazed Plate |
| Controls | Microprocessor w/ Comm. |

| | |
|----------------------|--------------------|
| Electrical Enclosure | NEMA 3R |
| Operating Weight | 9860 lbs (Approx.) |
| Decibels @ 10' | 70 |
| Refrigerant | R410a |

Cooling Capacity by Leaving Fluid Temperature²

| LFT | Btu/H | kW |
|-------|---------|-------|
| 30 °F | 495,000 | 145.1 |
| 40 °F | 594,000 | 174.1 |
| 50 °F | 700,000 | 205.1 |

¹ Dimensions accurate for package chiller, remote condenser options will vary

² All capacities at 90 °F ambient

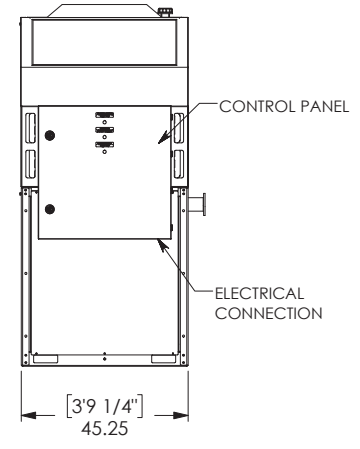
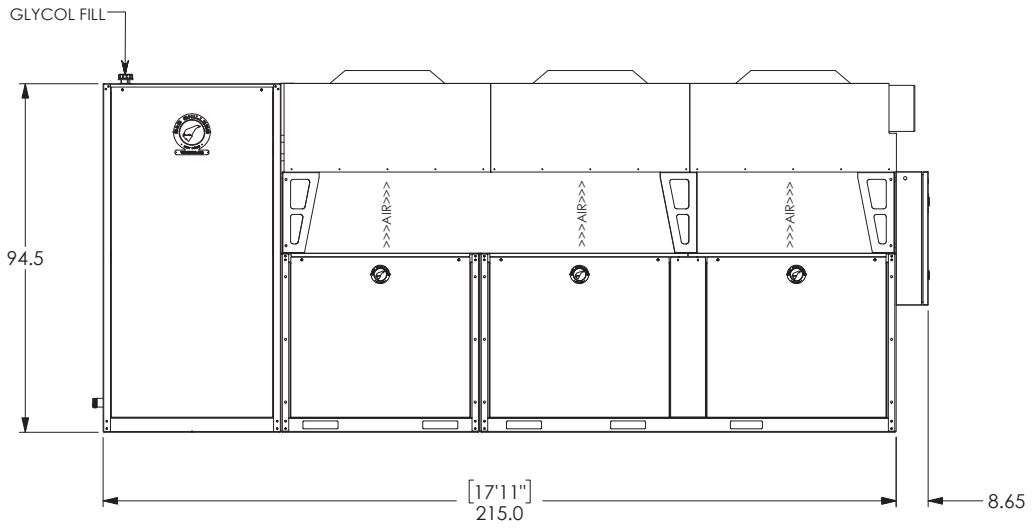
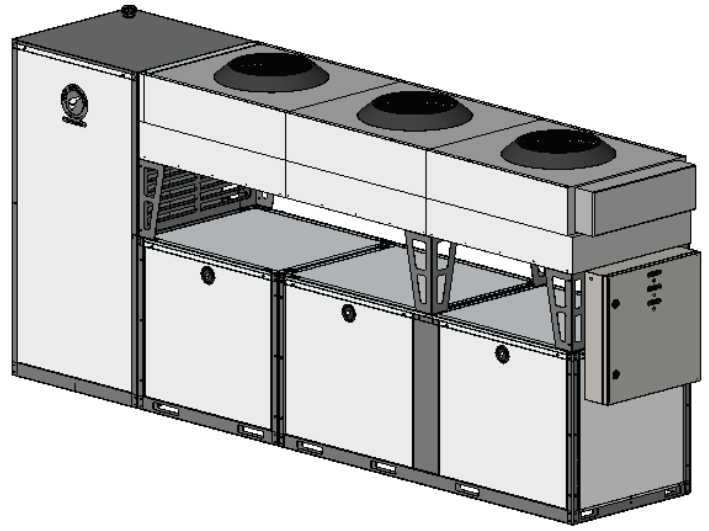
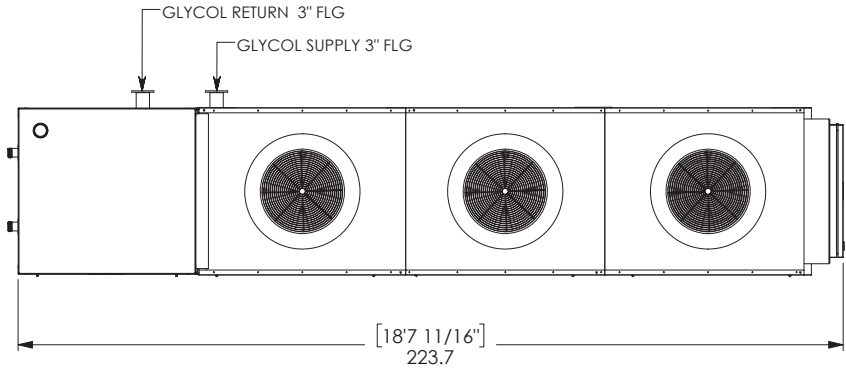
³ VFD available upon request

Chiller package consists of the following:

- Complete refrigeration circuit
- Air-cooled condenser
- Process pump³
- Chiller pump
- Fluid bypass valve
- Freeze stat safety switch
- All insulated copper piping
- Powder coated steel frame
- Powder coated aluminum housing
- Tandem scroll compressors
- Engineered high efficiency heat exchanger for maximum energy savings
- Insulated stainless steel glycol reservoir with baffle plate
- Microprocessor controller with communication
- ETL (UL508) listed complete control panel with single point electrical connection, breakers, starters & safety switches
- CTS flange glycol supply and return connections
- Louvered aluminum access panels for easy service & maintenance
- Factory run tested and fully charged with refrigerant

2 Year Parts and 1 Year Labor Warranty

| REVISIONS | | | | |
|-----------|------|-------------|------|----------|
| ZONE | REV. | DESCRIPTION | DATE | APPROVED |
| | | | | |
| | | | | |
| | | | | |



GD-50T-2 VERTICAL AIR CHILLER



COMMITTED TO COLD
○ EST 1993 ○

760 BAILEY HILL ROAD EUGENE, OR 97402 - TEL (541) 345-3903 (800) 555-0973