



CHILLER MODEL: GD-65T-2

230 Volt 1 Phase	
FLA	-
MCA	-
MOC	-

230 Volt 3 Phase	
FLA	322
MCA	357
MOC	496

460 Volt 3 Phase	
FLA	168
MCA	186
MOC	259

Dimensions ¹	91"W x 113"L x 108"H
Frame	Powder Coated Steel
Housing	Powder Coated Aluminum
Tank	600 Gallon Stainless Steel
Compressor	Tandem Scroll
Condenser	Air-Cooled Vertical Discharge
Process Pump HP	7.5
GPM @ 25 PSI	230
Connection Size	3" CTS Flange
Chiller Pump HP	2
Heat Exchanger	Stainless Steel Brazed Plate
Controls	Microprocessor w/ Comm.

Electrical Enclosure	NEMA 3R
Operating Weight	11,100 lbs (Approx.)
Decibels @ 10'	71
Refrigerant	R410a

Cooling Capacity by Leaving Fluid Temperature

LFT	Btu/H	kW
40 °F	741,000	217.2
50 °F	878,000	257.3

¹ Dimensions accurate for package chiller, remote condenser options will vary

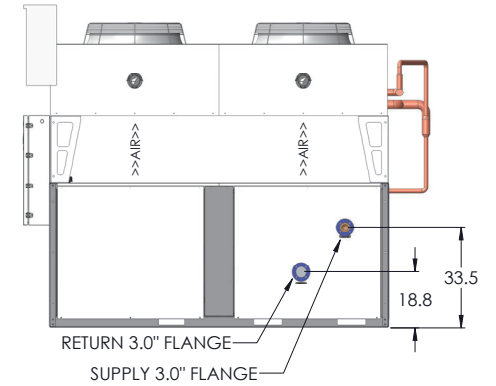
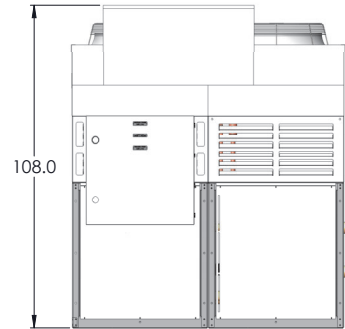
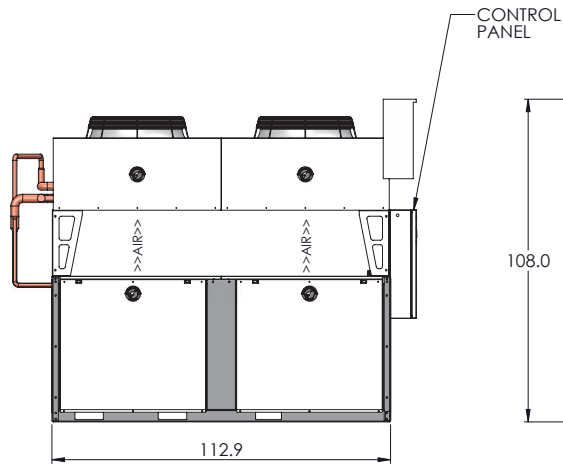
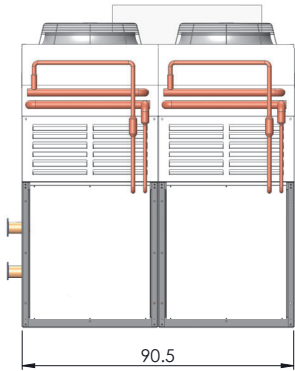
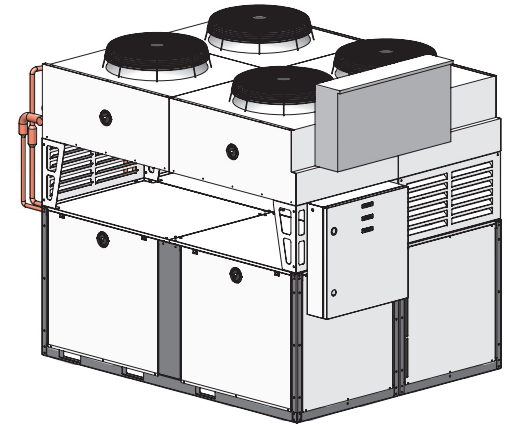
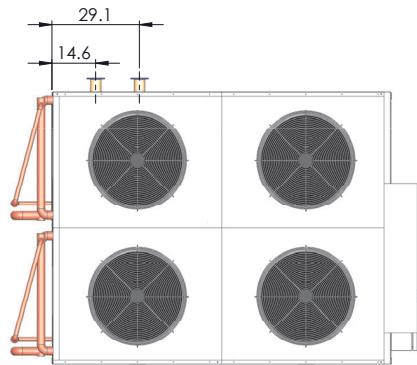
² All capacities at 90 °F ambient

³ VFD available upon request

Chiller package consists of the following:

- Complete refrigeration circuit
- Air-cooled condenser
- Process pump³
- Chiller pump
- Fluid bypass valve
- Freeze stat safety switch
- All insulated copper piping
- Powder coated steel frame
- Powder coated aluminum housing
- Tandem scroll compressors
- Engineered high efficiency heat exchanger for maximum energy savings
- Insulated stainless steel glycol reservoir with baffle plate
- Microprocessor controller with communication
- ETL (UL508) listed complete control panel with single point electrical connection, breakers, starters & safety switches
- CTS flange glycol supply and return connections
- Louvered aluminum access panels for easy service & maintenance
- Factory run tested and fully charged with refrigerant

2 Year Parts and 1 Year Labor Warranty



GD-65T-2

VERTICAL AIR CHILLER



G&D CHILLERS

COMMITTED TO COLD

o EST 1993 o

760 BAILEY HILL RD, EUGENE, OR 97402 - TEL (541) 345-3903 (800) 555-0973