



CHILLER MODEL: GD-30H-1LC-VA1

230 Volt 1 Phase	
FLA	-
MCA	-
MOC	-

230 Volt 3 Phase	
FLA	129
MCA	155
MOC	261

460 Volt 3 Phase	
FLA	64
MCA	77
MOC	130

Dimensions ¹	45"W x 113"L x 102"H
Frame	Powder Coated Steel
Housing	Powder Coated Aluminum
Tank	50 Gallon Stainless Steel
Compressor	30 HP Two-Stage Recip
Condenser	Air-Cooled Vertical Discharge
Process Pump	5 HP
Flow Rate	25 GPM @ 25 PSI
Connection Size	1.5" CTS Flange
Heat Exchanger	Stainless Steel Brazed Plate
Controls	Microprocessor w/ Comm.

Electrical Enclosure	NEMA 3R
Refrigerant	R404a

Cooling Capacity by Leaving Fluid Temperature²

LFT	Btu/H	kW
-50 °F	54,200	15.9
-40 °F	73,100	21.4
-30 °F	96,100	28.2

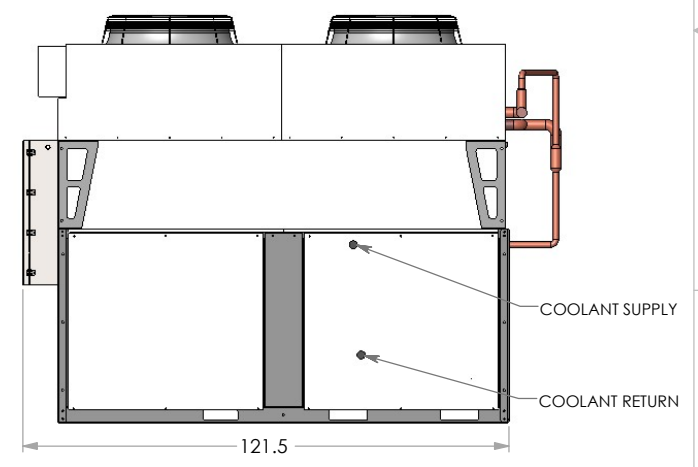
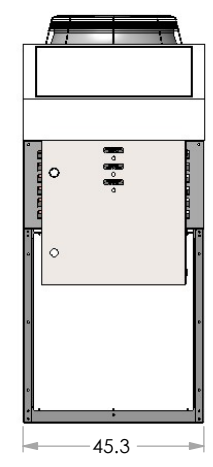
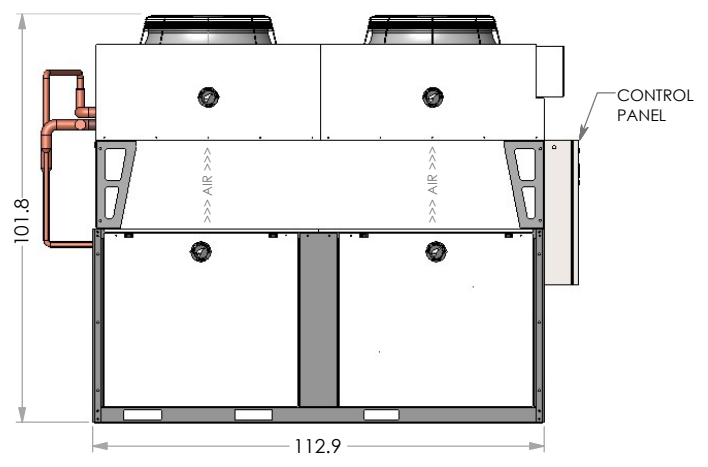
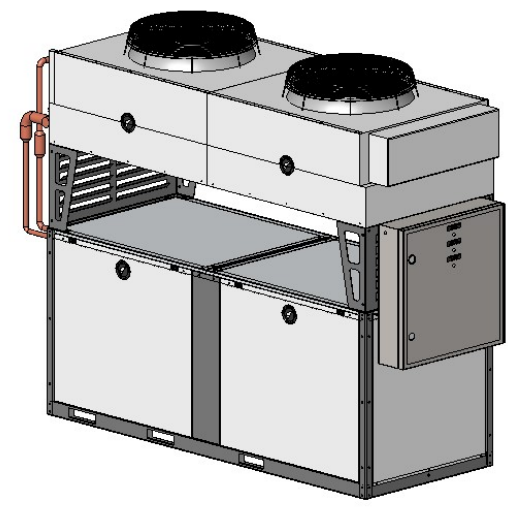
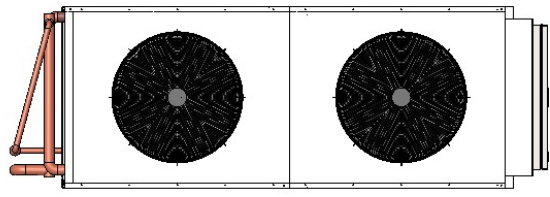
¹ Dimensions accurate for package chiller, remote condenser options will vary

²All capacities at 90 °F ambient

Chiller package consists of the following:

- Complete refrigeration circuit
- Air-cooled condenser
- Coolant pump
- Fluid bypass valve
- Freeze stat safety switch
- CTS flange coolant connections
- All insulated copper piping
- Powder coated steel frame
- Powder coated aluminum housing
- Semi-hermetic two-stage reciprocating compressor with subcooler
- Engineered high efficiency heat exchanger for maximum energy savings
- Heavily insulated stainless steel coolant reservoir
- Microprocessor controller with communication
- ETL (UL508) listed complete control panel with single point electrical connection, breakers, starters & safety switches
- Louvered aluminum access panels for easy service & maintenance
- Factory run tested and fully charged with refrigerant

2 Year Parts and 1 Year Labor Warranty



GD-30H-1 LC

LOW TEMPERATURE CHILLER



G&D CHILLERS

COMMITTED TO COLD

EST 1993

760 BAILEY HILL ROAD EUGENE, OR 97402 - TEL (541) 345-3903 (800) 555-0973