



## CHILLER MODEL: GD-35H-1C

208-240V 1-Phase	
FLA	-
MCA	-
MOC	-

208-240V 3-Phase	
FLA	148
MCA	178
MOC	298

460-480V 3-Phase	
FLA	73
MCA	88
MOC	148

Dimensions <sup>1</sup>	45"W x 167"L x 108"H
Frame	Powder Coated Steel
Housing	Powder Coated Aluminum
Tank	235 Gallon Stainless Steel
Compressor	35 HP
Condenser	Air-Cooled Vertical Discharge
Process Pump	5 HP
Process Flow	150 GPM @ 25 PSI
Connection	3" CTS Flange
Chiller Pump	1.5 HP
Heat Exchanger	Stainless Steel Brazed Plate
Controls	Microprocessor w/ Comm.

Electrical Enclosure	NEMA 3R
Ship/Operating Weight	3750/5850 lbs
Decibels @ 10'	75 dBA
Refrigerant	R448A

### Cooling Capacity by Leaving Fluid Temperature<sup>2</sup>

LFT	Btu/H	kW
20 °F	213,000	62.4
30 °F	263,000	77.1
40 °F	320,000	93.8

1. Package chiller dimensions, remote condenser options will vary

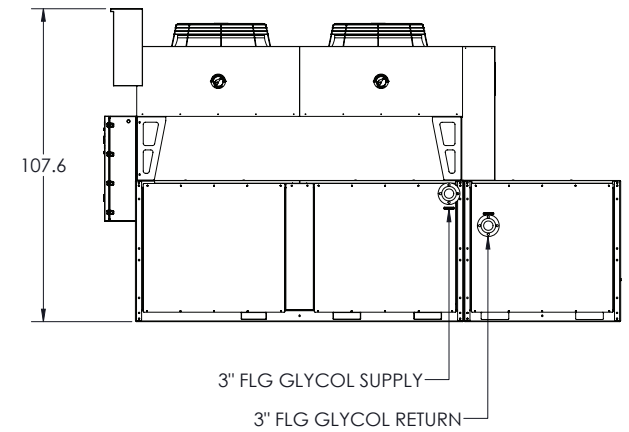
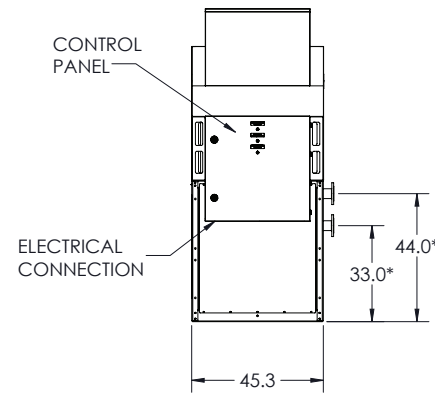
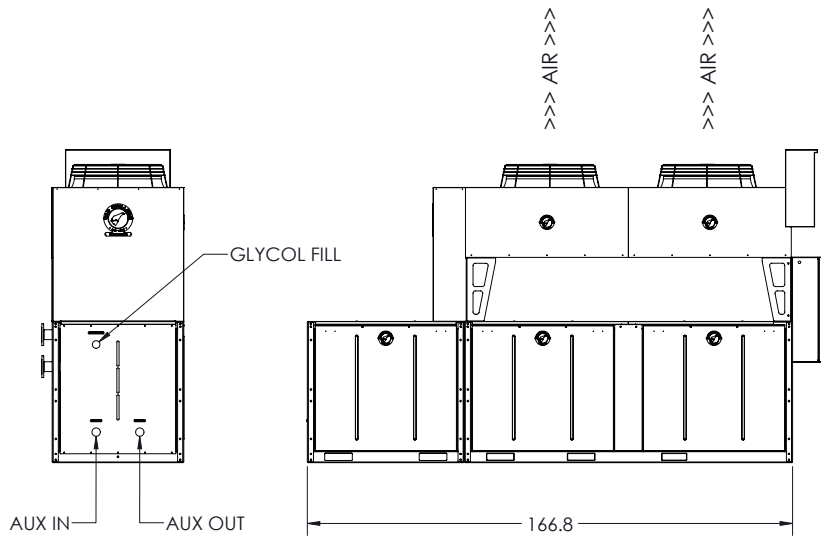
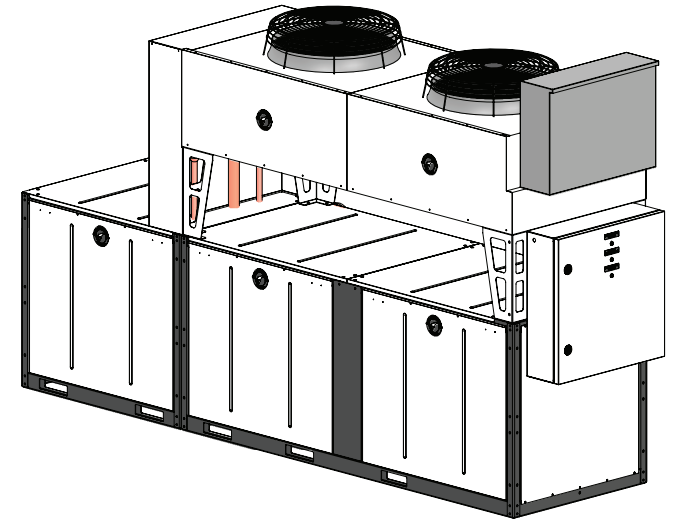
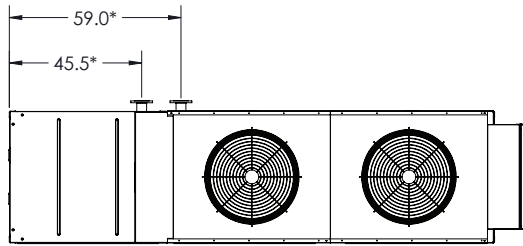
2. All capacities at 90°F ambient

3. Specifications subject to change without notice

### Chiller package consists of the following:

- Complete refrigeration circuit
- Air-cooled condenser
- Process pump with VFD
- Chiller pump
- Fluid bypass valve
- Freeze stat safety switch
- All insulated copper piping
- Powder coated steel frame
- Powder coated aluminum housing
- Semi-hermetic reciprocating compressor with capacity unloading
- Engineered high efficiency heat exchanger for maximum energy savings
- Insulated stainless steel glycol reservoir with baffle plate
- Microprocessor controller with communication
- ETL (UL 508A) listed complete control panel with single point electrical connection, breakers, starters & safety switches
- CTS flange glycol supply and return connections
- Louvered aluminum access panels for easy service & maintenance
- Factory run tested and fully charged with refrigerant

**2 Year Parts and 1 Year Labor Warranty**



\*APPROXIMATE DIMENSIONS - DO NOT USE FOR PRE-FABRICATION OF CONNECTING PIPING

# GD-35H-1C

## VERTICAL AIR CHILLER

DRAWN:	AH
APPROVED:	TH
DATE:	02/01/24



**G&D CHILLERS**  
COMMITTED TO COLD

130 E FIRST AVE, JUNCTION CITY, OR 97448  
TEL: (541) 345-3903 (800) 555-0973