



CHILLER MODEL: GD-100T-4

230 Volt 1 Phase	
FLA	-
MCA	-
MOC	-

230 Volt 3 Phase	
FLA	500
MCA	525
MOC	634

460 Volt 3 Phase	
FLA	256
MCA	270
MOC	326

Dimensions ₁	91"W x 167"L x 108"H
Frame	Powder Coated Steel
Housing	Powder Coated Aluminum
Tank	465 Gallon Stainless Steel
Compressor	Tandem Scroll (x2)
Condenser	Air-Cooled Vertical Discharge
Process Pump HP	7.5
GPM @ 25 PSI	230
Connection Size	3" CTS Flange
Chiller Pump HP	5
Heat Exchanger	Stainless Steel Brazed Plate
Controls	Microprocessor w/ Comm.

Electrical Enclosure	NEMA 3R
Operating Weight	13,800 lbs
Decibels @ 10'	80 dBA
Refrigerant	R410a

Cooling Capacity at 90°F Ambient Temperature²

LFT	Btu/H	kW
40 °F	1,188,000	348.2
50 °F	1,400,000	410.3

1. Dimensions accurate for package chiller, remote condenser options will vary

2. LFT: Glycol leaving fluid temperature

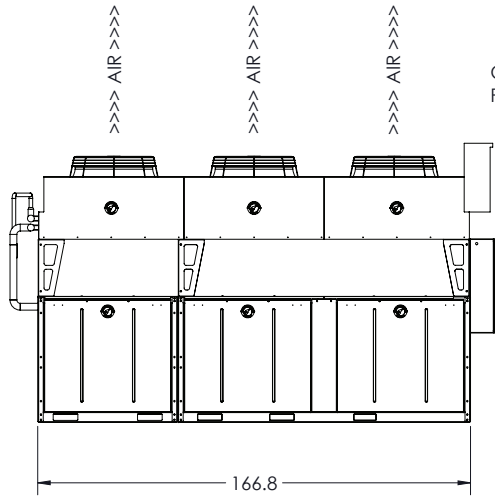
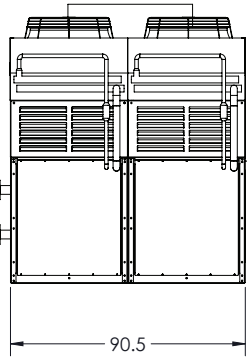
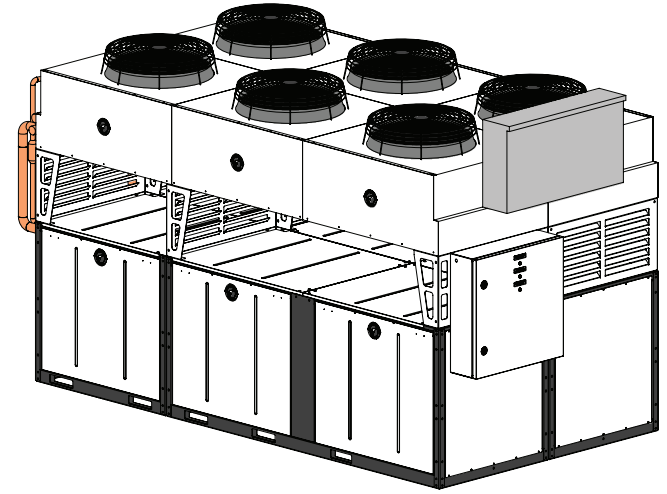
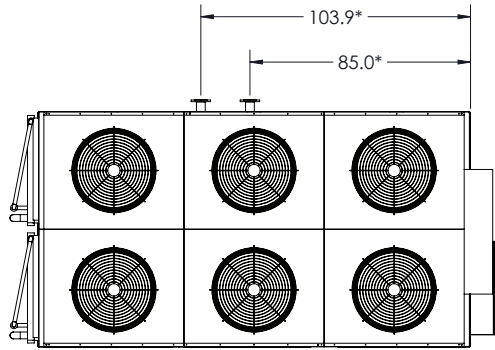
3. VFD available upon request

4. Specifications subject to change without notice

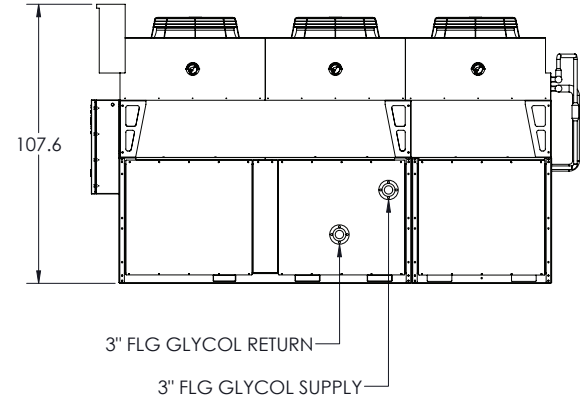
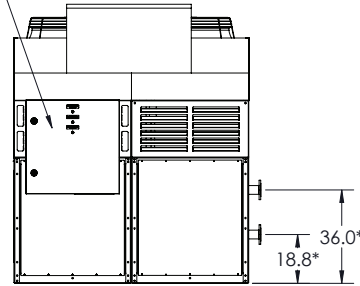
Chiller package consists of the following:

- Complete refrigeration circuit
- Air-cooled condenser
- Process pump³
- Chiller pump
- Fluid bypass valve
- Freeze stat safety switch
- All insulated copper piping
- Powder coated steel frame
- Powder coated aluminum housing
- Two sets of tandem scroll compressors for maximum efficiency & redundancy
- Engineered high efficiency heat exchangers
- Insulated stainless steel glycol reservoir with baffle plate
- Microprocessor controller with communication
- ETL (UL508) listed complete control panel with single point electrical connection, breakers, starters & safety switches
- CTS flange glycol supply and return connections
- Louvered aluminum access panels for easy service & maintenance
- Factory run tested and fully charged with refrigerant

2 Year Parts and 1 Year Labor Warranty



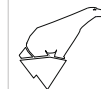
CONTROL
PANEL



*APPROXIMATE DIMENSIONS - DO NOT USE FOR PRE-FABRICATION OF CONNECTING PIPING

GD-100T-4 VERTICAL AIR CHILLER

DRAWN:	AH
APPROVED:	TH
DATE:	01/05/24



G&D CHILLERS
COMMITTED TO COLD

130 E FIRST AVE, JUNCTION CITY, OR 97448
TEL: (541) 345-3903 (800) 555-0973