



CHILLER MODEL: GD-25T-2

230 Volt 1 Phase	
FLA	-
MCA	-
MOC	-

230 Volt 3 Phase	
FLA	108
MCA	119
MOC	163

460 Volt 3 Phase	
FLA	54
MCA	60
MOC	82

Dimensions ¹	45"W x 113"L x 108"H
Frame	Powder Coated Steel
Housing	Powder Coated Aluminum
Tank	190 Gallon Stainless Steel
Compressor	Tandem Scroll
Condenser	Air-Cooled Vertical Discharge
Glycol Pump	2.5 HP
GPM @ 25 PSI	80
Connection Size	2" CTS Flange
Heat Exchanger	Stainless Steel Brazed Plate
Controls	Microprocessor w/ Comm.
Enclosure Rating	NEMA 3R

Ship/Operating Weight	3,060/4,700 lbs
Decibels @ 10'	75
Refrigerant	R410a

Cooling Capacity by Leaving Fluid Temperature²

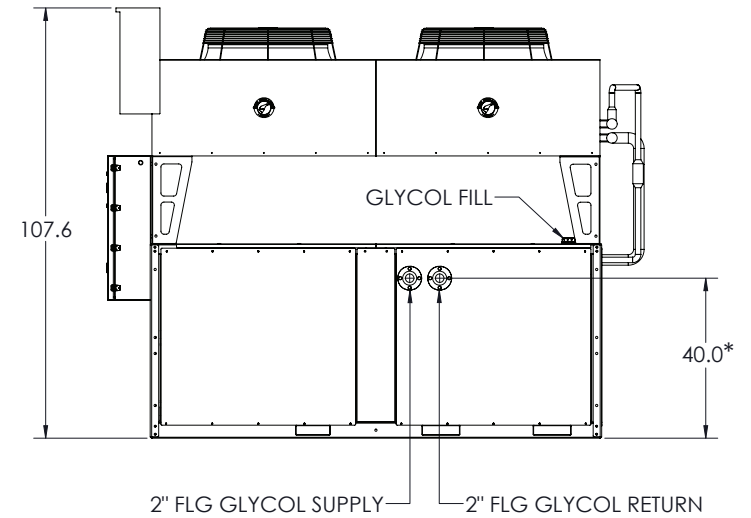
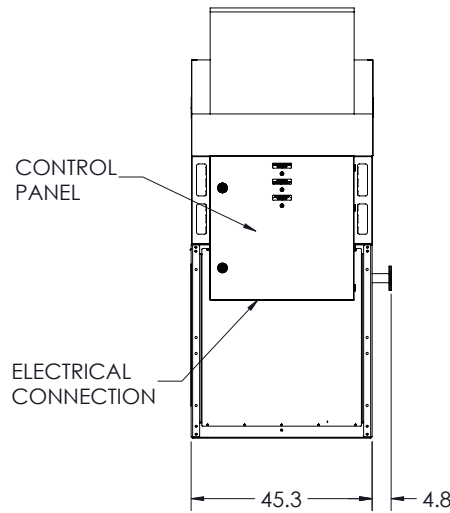
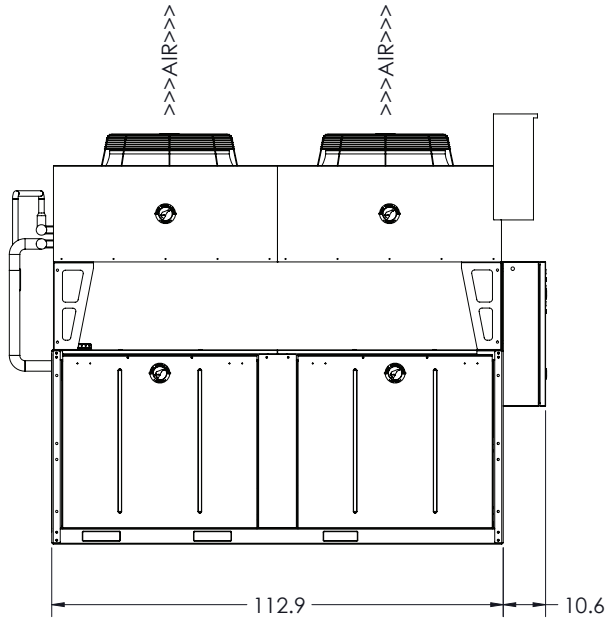
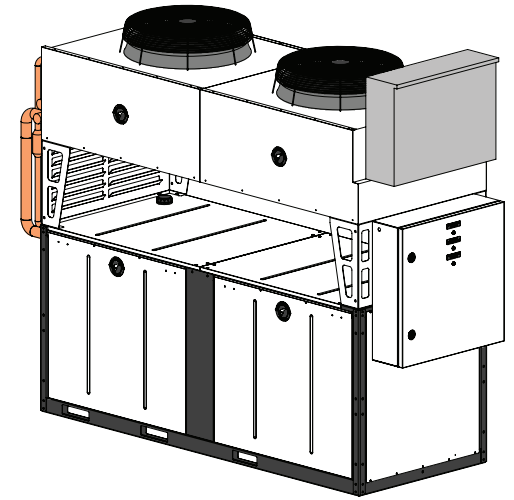
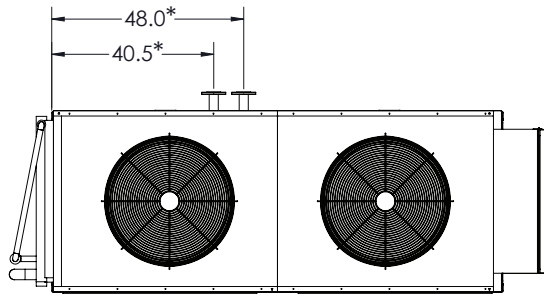
LFT	Btu/H	kW
30 °F	226,800	66.5
40 °F	273,000	80.0
50 °F	324,800	95.2

1. Dimensions accurate for package chiller, remote condenser options will vary
2. All capacities at 90 °F ambient
3. VFD available upon request
4. Specifications subject to change without notice

Chiller package consists of the following:

- Complete refrigeration circuit
- Tandem scroll compressors
- Air-cooled condenser
- Glycol pump³
- Fluid bypass valve
- Freeze stat safety switch
- All insulated copper piping
- Powder coated steel frame
- Engineered high efficiency heat exchanger for maximum energy savings
- Insulated stainless steel coolant reservoir with baffle plate
- Microprocessor controller with communication
- ETL (UL508) listed complete control panel with single point electrical connection, breakers, starters & safety switches
- CTS flange glycol supply and return connections
- Louvered aluminum access panels for easy service & maintenance
- Factory run tested and fully charged with refrigerant

2 Year Parts and 1 Year Labor Warranty



*APPROXIMATE DIMENSIONS - DO NOT USE FOR PRE-FABRICATION OF CONNECTING PIPING

GD-20T-2 / GD-25T-2 VERTICAL AIR CHILLERS

DRAWN:	AH
APPROVED:	TH
DATE:	04/13/23



G&D CHILLERS
COMMITTED TO COLD

130 E FIRST AVE, JUNCTION CITY, OR 97448
TEL: (541) 345-3903 (800) 555-0973