



CHILLER MODEL: **GD-50T-2**

208-240V 1-Phase	
FLA	-
MCA	-
MOC	-

208-240V 3-Phase	
FLA	260
MCA	287
MOC	396

460-480V 3-Phase	
FLA	123
MCA	136
MOC	186

Dimensions ¹	45"W x 167"L x 108"H
Frame	Powder Coated Steel
Housing	Powder Coated Aluminum
Tank	330 Gallon Stainless Steel
Compressor	Tandem Scroll
Condenser	Air-Cooled Vertical Discharge
Process Pump	7.5 HP
Process Flow	230 GPM @ 25 PSI
Connection Size	3" CTS Flange
Chiller Pump	2.5 HP
Heat Exchanger	Stainless Steel Brazed Plate
Controls	Microprocessor w/ Comm.

Electrical Enclosure	NEMA 3R
Ship/Operating Weight	4700/7600 lbs
Decibels @ 10'	77 dBA
Refrigerant	R410a

Cooling Capacity by Leaving Fluid Temperature²

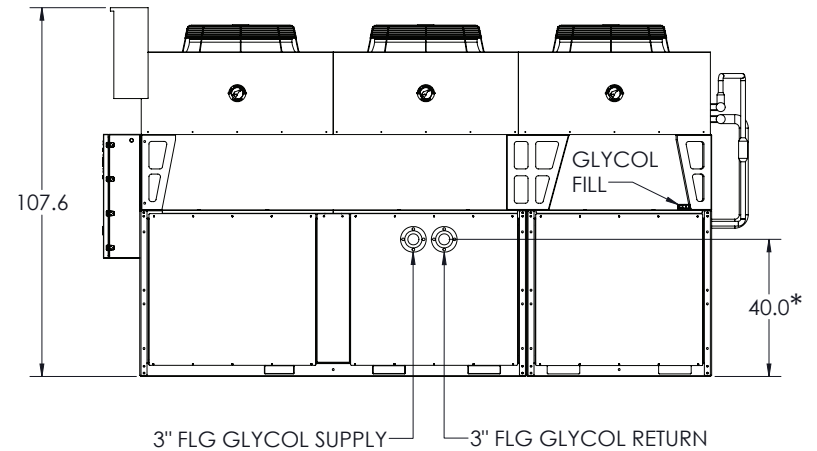
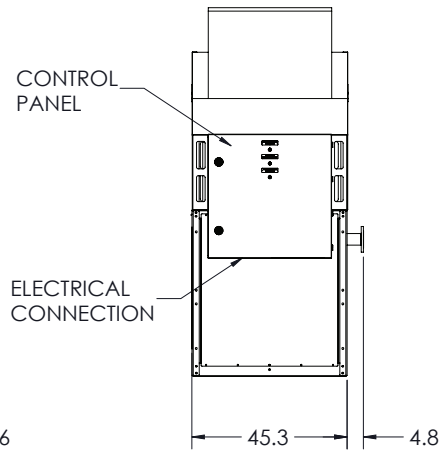
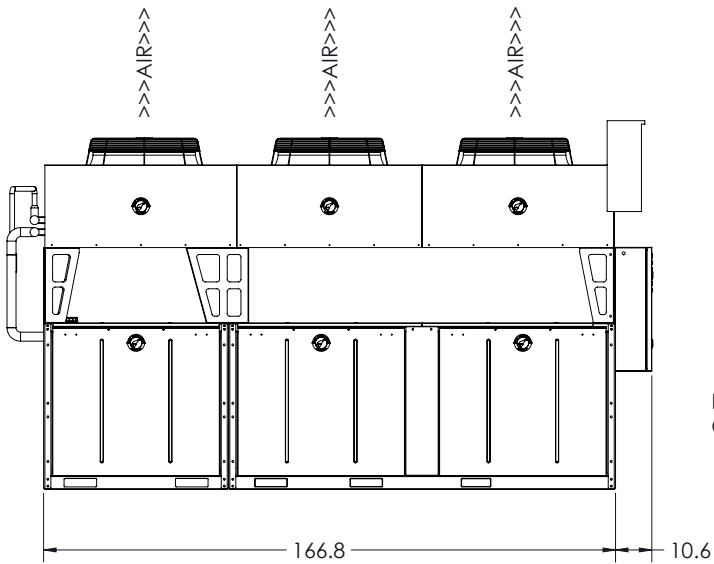
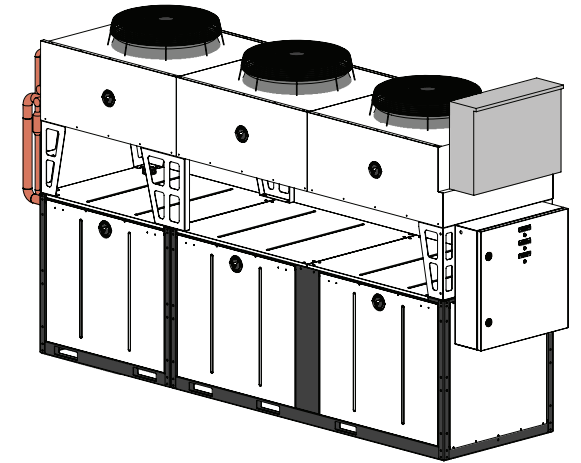
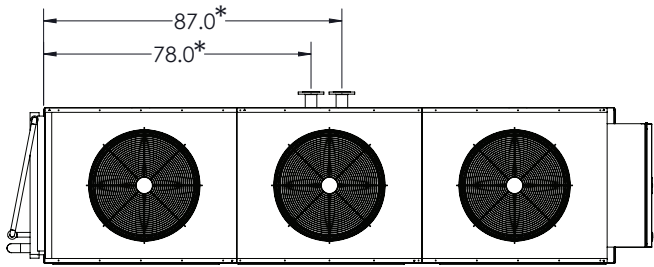
LFT	Btu/H	kW
30 °F	495,000	145.1
40 °F	594,000	174.1
50 °F	700,000	205.1

1. Package chiller dimensions, remote condenser options will vary
2. All capacities at 90°F ambient
3. VFD available upon request
4. Specifications subject to change without notice

Chiller package consists of the following:

- Complete refrigeration circuit
- Air-cooled condenser
- Process pump³
- Chiller pump
- Fluid bypass valve
- Freeze stat safety switch
- All insulated copper piping
- Powder coated steel frame
- Powder coated aluminum housing
- Tandem scroll compressors
- Engineered high efficiency heat exchanger for maximum energy savings
- Insulated stainless steel glycol reservoir with baffle plate
- Microprocessor controller with communication
- ETL (UL508) listed complete control panel with single point electrical connection, breakers, starters & safety switches
- CTS flange glycol supply and return connections
- Louvered aluminum access panels for easy service & maintenance
- Factory run tested and fully charged with refrigerant

2 Year Parts and 1 Year Labor Warranty



*APPROXIMATE DIMENSIONS - DO NOT USE FOR PRE-FABRICATION OF CONNECTING PIPING

GD-40T-2 / GD-50T-2

VERTICAL AIR CHILLERS

DRAWN:	AH
APPROVED:	TH
DATE:	04/13/23



G&D CHILLERS
COMMITTED TO COLD

130 E FIRST AVE, JUNCTION CITY, OR 97448
TEL: (541) 345-3903 (800) 555-0973